

<b>Contents</b>	<b>Page</b>
Cassette Assembly, Models W2000 and W4000 .....	.2-3
Cassette Assembly, Models W8000 and W15000 .....	.4-5
Ratchet, Drive Shoe and Sideplates, Model W2000 .....	.6-7
Ratchet, Drive Shoe and Sideplates, Model W4000 .....	.8-9
Ratchet, Drive Shoe and Sideplates, Model W8000 .....	.10-11
Ratchet, Drive Shoe and Sideplates, Model W15000 .....	.12-13
Drive Unit, Models W2000 and W4000 .....	.14-15
Drive Unit, Models W8000 and W15000 .....	.16-17

### Repair Parts List for W-Series Cassettes, Models W2000 and W4000

Item	Model W2000	Model W4000	Qty.	Description
1	2000-107	4000-107	1	Cylinder Locating Plate
2	See Pages 6-7	See Pages 8-9	1	RH Sideplate
3	See Pages 6-7	See Pages 8-9	1	LH Sideplate
4	See Pages 6-7 ♦	See Pages 8-9 ♦♦	1	Ratchet Lever
5	See Pages 6-7 †	See Pages 8-9 ††	1	Ratchet
6	See Pages 6-7 †	See Pages 8-9 ††	1	Drive Shoe
7	2000-117 ☆	4000-117 ☆☆	1	Guard, Rear
8	2000-116A ☆	4000-116A ☆☆	1	Guard, Front
9	2000-108	4000-108	1	Retainer Pin
10	2000-110 ❖	4000-110 ❖❖	1	Spacer Retaining Pin
11	2000-111 ❖	4000-111 ❖❖	1	Retaining Pin, Cylinder
12	2000-109 ❖	4000-109 ❖❖	1	Cylinder Retaining Pin
13	2000-112 ❖ ▲	4000-112 ❖❖ ▲▲	1	Pin, Toggle
14	DC7375160SR	DC7378160SR	1	Reaction Foot
15	2000-115 ❖	4000-115 ❖❖	1	Fail Safe Pin
16	2000-113A ★	4000-113 ★★	4	Sideplate Spacer
17	E3-081 ❖	E3-081 ❖❖	1	Spring, Compression
18	See Pages 6-7 † ▲	---	1	Spring, Compression
18	---	See Pages 8-9 †† ▲▲	2	Spring, Compression
19	E4-563 ❖ ▲	E4-563 ❖❖ ▲▲	1	Screw, Set, Cone Point
20	E4-444 ☆ ▲	---	2	Screw, Button Head
20	---	E4-444 ☆☆ ▲▲	3	Screw, Button Head
21	2000-129 ★ ▲	4000-129 ★★ ▲▲	4	Screw, Shoulder Modified
22	E4-574 ▲	E4-584 ▲▲	2	Spring, Plunger
23	E4-576 ▲	E4-564 ▲▲	3	Pin, Spirol Spring
24	See Pages 6-7 ♦ ▲	See Pages 8-9 ♦♦ ▲▲	1	Pin, Spirol Spring
25	E4-603 ❖ ▲	E4-604 ❖❖ ▲▲	1	Screw, Button Head
26	E3-083 ❖	E3-083 ❖❖	1	Spring, Compression
27	SL100154 ▲	SL100154 ▲▲	2	Nameplate, Enerpac
28	E4-613 ☆ ▲	---	2	Washer, Flat
28	---	E4-613 ☆☆ ▲▲	3	Washer, Flat

**Notes:**

**W2000:**

- † Items included as part of Ratchet Kit. See pages 6 and 7 for details.
- ❖ Items included as part of Safe Link Kit W2000SLK.
- ★ Items included as part of Head Spacer Kit W2000HSK.
- ☆☆ Items included as part of Head Guard Kit W2000HGK.
- ♦♦ Items included as part of Ratchet Lever Kit. See pages 6 and 7 for details
- ▲▲ Items included as part of Cassette Hardware Kit W2000CHK.

**W4000:**

- †† Items included as part of Ratchet Kit. See pages 8 and 9 for details.
- ❖❖ Items included as part of Safe Link Kit W4000SLK.
- ★★ Items included as part of Head Spacer Kit W4000HSK.
- ☆☆ Items included as part of Head Guard Kit W4000HGK.
- ♦♦ Items included as part of Ratchet Lever Kit. See pages 8 and 9 for details
- ▲▲ Items included as part of Cassette Hardware Kit W4000CHK.

Except as noted, kit components are not sold separately and must be purchased as part of a kit. Enerpac recommends that all kit components be installed to assure optimum performance of the repaired product.

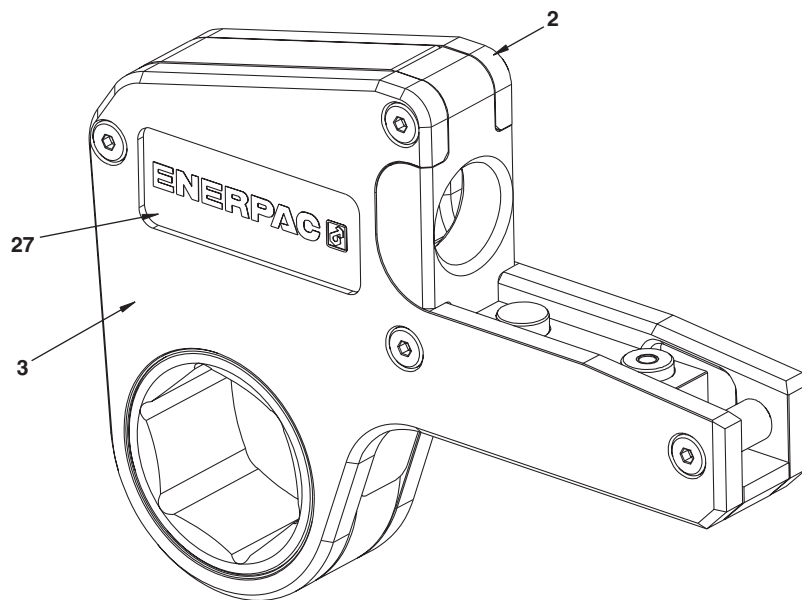
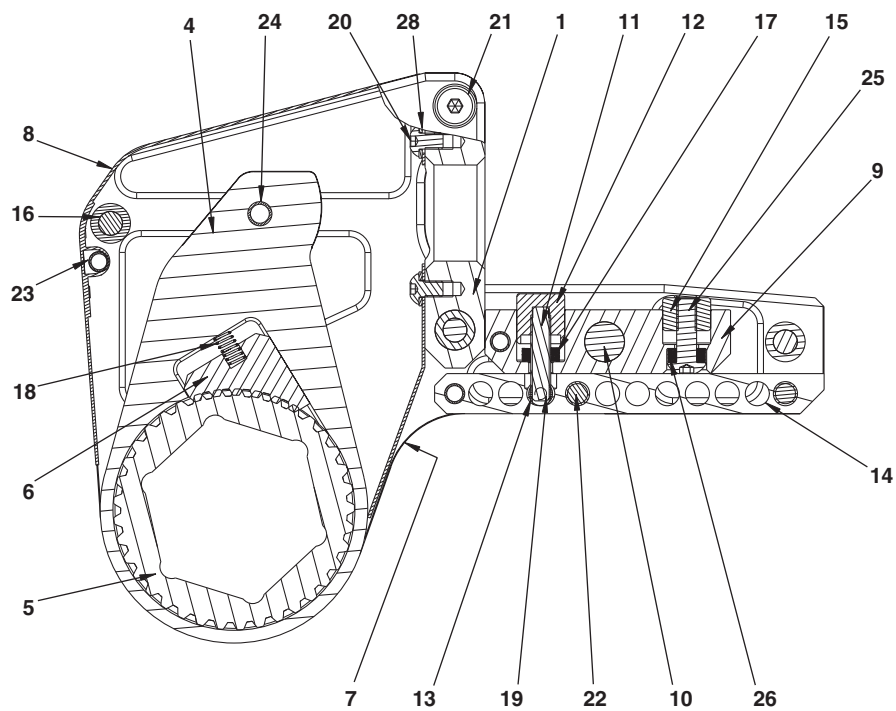


Figure 1, Cassette Assembly, Models W2000 and W4000

**Repair Parts List for W-Series Cassettes, Models W8000 and W15000**

Item	Model W8000	Model W15000	Qty.	Description
1	8000-107	15000-107	1	Cylinder Locating Plate
2	See Pages 10-11	See Pages 12-13	1	RH Sideplate
3	See Pages 10-11	See Pages 12-13	1	LH Sideplate
4	See Pages 10-11 ◆	See Pages 12-13 ◆◆	1	Ratchet Lever
5	See Pages 10-11 †	See Pages 12-13 ††	1	Ratchet
6	See Pages 10-11 †	See Pages 12-13 ††	1	Drive Shoe
7	8000-117 ☆	15000-117 ☆☆	1	Guard, Rear
8	8000-116A ☆	15000-116 ☆☆	1	Guard, Front
9	8000-108	15000-108	1	Retainer Pin
10	8000-110 ❖	15000-110 ❖❖	1	Spacer Retaining Pin
11	8000-109 ❖	15000-109 ❖❖	1	Retaining Pin, Cylinder
12	DC7381160SR	DC7384160SR	1	Reaction Foot
13	8000-115 ❖	15000-115 ❖❖	1	Fail Safe Pin
14	8000-113A ★	15000-113 ★★	4	Sideplate Spacer
15	E3-081 ❖	E3-081 ❖❖	1	Spring, Compression
16	See Pages 10-11 † ❖ ▲	See Pages 12-13 †† ❖❖ ▲▲	2	Spring, Compression
17	E4-444 ☆ ▲	E4-444 ☆☆ ▲▲	3	Screw, Button Head
18	E4-607 ★ ▲	15000-129 ★★ ▲▲	4	Screw, Shoulder Modified
19	E4-584 ❖ ▲	E4-584 ❖❖ ▲▲	2	Spring, Plunger
20	E4-608 ☆ ▲	E4-611 ☆☆ ▲▲	3	Pin, Spirol Spring
21	See Pages 10-11 ◆ ▲	See Pages 12-13 ◆◆ ▲▲	1	Pin, Spirol Spring
22	E4-442 ❖ ▲	E4-576 ❖❖ ▲▲	1	Pin, Spring Tension
23	E4-087 ❖ ▲	E4-612 ❖❖ ▲▲	1	Screw, Button Head
24	E3-086 ❖	E3-087 ❖❖	1	Spring, Compression Spiralwave
25	SL100155 ▲	SL100155 ▲▲	2	Nameplate, Enerpac

Notes:

**W8000:**

- † Items included as part of Ratchet Kit. See pages 10 and 11 for details.
- ❖ Items included as part of Safe Link Kit W8000SLK.
- ★ Items included as part of Head Spacer Kit W8000HSK.
- ☆☆ Items included as part of Head Guard Kit W8000HGK.
- ◆ Items included as part of Ratchet Lever Kit. See pages 10 and 11 for details
- ▲ Items included as part of Cassette Hardware Kit W8000CHK.

**W15000:**

- †† Items included as part of Ratchet Kit. See pages 12 and 13 for details.
- ❖❖ Items included as part of Safe Link Kit W15000SLK.
- ★★ Items included as part of Head Spacer Kit W15000HSK.
- ☆☆ Items included as part of Head Guard Kit W15000HGK.
- ◆◆ Items included as part of Ratchet Lever Kit. See pages 12 and 13 for details
- ▲▲ Items included as part of Cassette Hardware Kit W15000CHK.

Except as noted, kit components are not sold separately and must be purchased as part of a kit. Enerpac recommends that all kit components be installed to assure optimum performance of the repaired product.

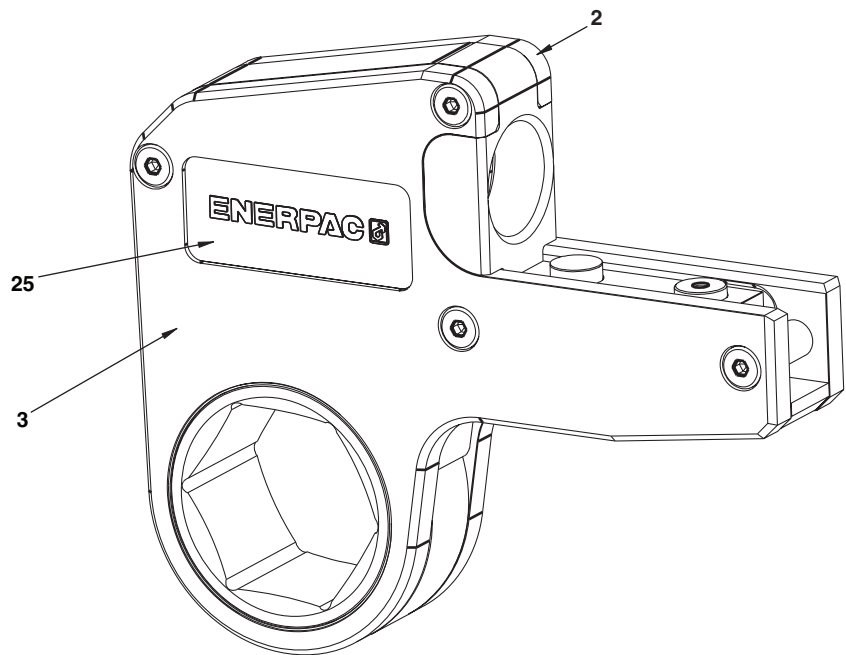
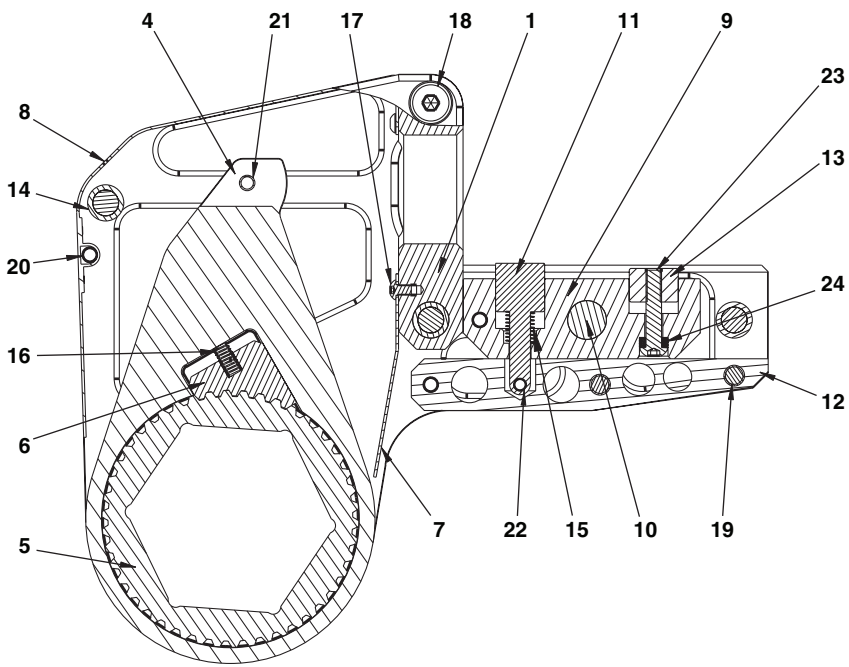


Figure 2, Cassette Assembly, Models W8000 and W15000

**Ratchet and Sideplate Parts List for W-Series Cassettes, Model W2000**

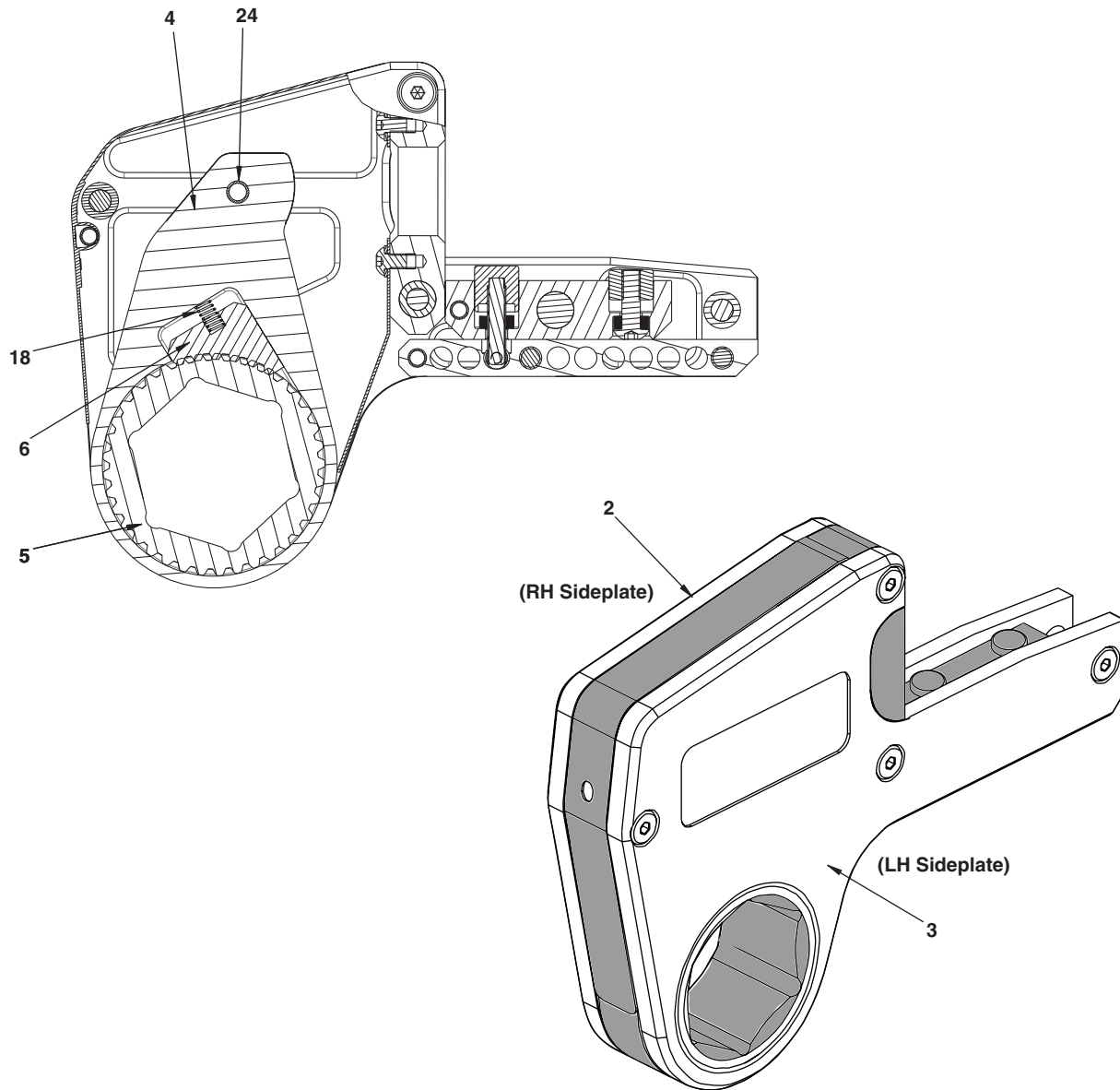
Cassette Model	Size		Part Numbers				
	Inch	Metric	Ratchet Only (item 5)	Ratchet Kit (items 5, 6 & 18)	Ratchet Lever and Pin Assy. (items 4 & 24)	LH Sideplate (item 3)	RH Sideplate (item 2)
W2102	1-1/8"	26	2000-121102	W2102RK	2000-120A107	2000-118A107	2000-119A107
W2103	1-3/16"	30	2000-121103	W2103RK	2000-120A107	2000-118A107	2000-119A107
W2104	1-1/4"	32	2000-121104	W2104RK	2000-120A107	2000-118A107	2000-119A107
W2105	1-5/16"	33	2000-121105	W2105RK	2000-120A107	2000-118A107	2000-119A107
W2106	1-3/8"	35	2000-121106	W2106RK	2000-120A107	2000-118A107	2000-119A107
W2107	1-7/16"	36	2000-121107	W2107RK	2000-120A107	2000-118A107	2000-119A107
W2108	1-1/2"	38	2000-121108	W2108RK	2000-120A110	2000-118A110	2000-119A110
W2109	1-9/16"	40	2000-121109	W2109RK	2000-120A110	2000-118A110	2000-119A110
W2110	1-5/8"	41	2000-121110	W2110RK	2000-120A110	2000-118A110	2000-119A110
W2111	1-11/16"	43	2000-121111	W2111RK	2000-120A113	2000-118A113	2000-119A113
W2112	1-3/4"	44	2000-121112	W2112RK	2000-120A113	2000-118A113	2000-119A113
W2113	1-13/16"	46	2000-121113	W2113RK	2000-120A113	2000-118A113	2000-119A113
W2114	1-7/8"	48	2000-121114	W2114RK	2000-120A200	2000-118A200	2000-119A200
W2115	1-15/16"	49	2000-121115	W2115RK	2000-120A200	2000-118A200	2000-119A200
W2200	2"	50	2000-121200	W2200RK	2000-120A200	2000-118A200	2000-119A200
W2201	2-1/16"	52	2000-121201	W2201RK	2000-120A203	2000-118A203	2000-119A203
W2202	2-1/8"	54	2000-121202	W2202RK	2000-120A203	2000-118A203	2000-119A203
W2203	2-3/16"	55	2000-121203	W2203RK	2000-120A203	2000-118A203	2000-119A203
W2204	2-1/4"	57	2000-121204	W2204RK	2000-120A206	2000-118A206	2000-119A206
W2205	2-5/16"	59	2000-121205	W2205RK	2000-120A206	2000-118A206	2000-119A206
W2206	2-3/8"	60	2000-121206	W2206RK	2000-120A206	2000-118A206	2000-119A206

**Notes:**

Items 6 and 18 are available only as a kit (not sold separately).

Items 4 and 24 are available only as a subassembly (not sold separately).

Energac recommends that all kit and subassembly components be installed to assure optimum performance of the repaired product.



Item	Description
2	RH Sideplate
3	LH Sideplate
4	Ratchet Lever
5	Ratchet
6	Drive Shoe
18	Spring
24	Pin

**Notes:**

Items 5, 6 and 18 are included as part of Ratchet Kit.

Items 4 and 24 are included as part of Ratchet Lever and Pin Assembly.

Sideplates (items 2 and 3) must be ordered separately.

Refer to table on page 6 for additional information.

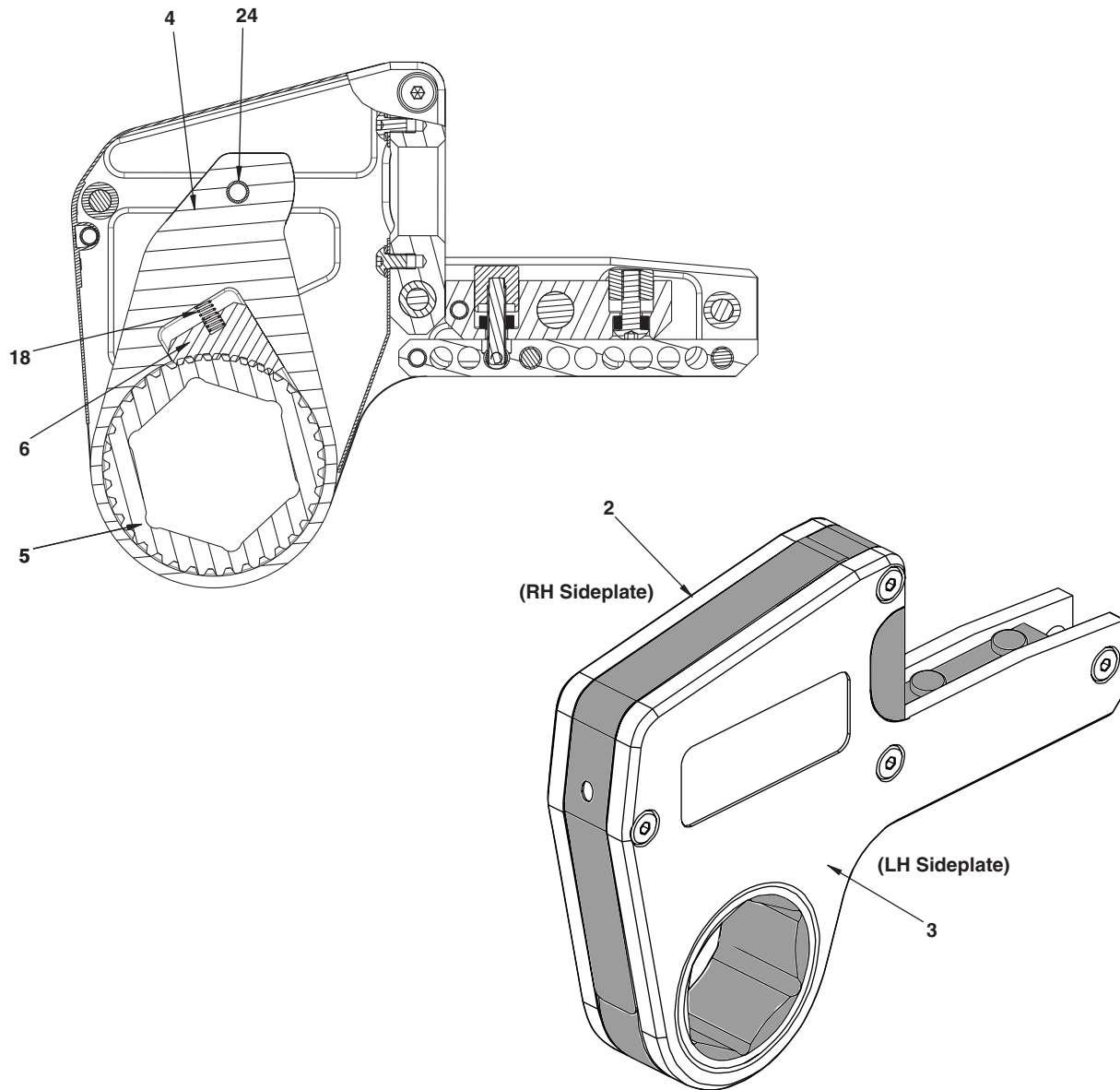
**Figure 3, Ratchet, Drive Shoe and Sideplates, Model W2000**

**Ratchet and Sideplate Parts List for W-Series Cassettes, Model W4000**

Cassette Model	Size		Part Numbers				
	Inch	Metric	Ratchet Only (item 5)	Ratchet Kit (items 5, 6 & 18)	Ratchet Lever and Pin Assy. (items 4 & 24)	LH Sideplate (item 3)	RH Sideplate (item 2)
W4105	1-5/16"	33	4000-121105	W4105RK	4000-120A110	4000-118A110	4000-119A110
W4106	1-3/8"	35	4000-121106	W4106RK	4000-120A110	4000-118A110	4000-119A110
W4107	1-7/16"	36	4000-121107	W4107RK	4000-120A110	4000-118A110	4000-119A110
W4108	1-1/2"	38	4000-121108	W4108RK	4000-120A110	4000-118A110	4000-119A110
W4109	1-9/16"	40	4000-121109	W4109RK	4000-120A110	4000-118A110	4000-119A110
W4110	1-5/8"	41	4000-121110	W4110RK	4000-120A110	4000-118A110	4000-119A110
W4111	1-11/16"	43	4000-121111	W4111RK	4000-120A113	4000-118A113	4000-119A113
W4112	1-3/4"	44	4000-121112	W4112RK	4000-120A113	4000-118A113	4000-119A113
W4113	1-13/16"	46	4000-121113	W4113RK	4000-120A113	4000-118A113	4000-119A113
W4114	1-7/8"	48	4000-121114	W4114RK	4000-120A200	4000-118A200	4000-119A200
W4115	1-15/16"	49	4000-121115	W4115RK	4000-120A200	4000-118A200	4000-119A200
W4200	2"	50	4000-121200	W4200RK	4000-120A200	4000-118A200	4000-119A200
W4201	2-1/16"	52	4000-121201	W4201RK	4000-120A203	4000-118A203	4000-119A203
W4202	2-1/8"	54	4000-121202	W4202RK	4000-120A203	4000-118A203	4000-119A203
W4203	2-3/16"	55	4000-121203	W4203RK	4000-120A203	4000-118A203	4000-119A203
W4204	2-1/4"	57	4000-121204	W4204RK	4000-120A206	4000-118A206	4000-119A206
W4205	2-5/16"	59	4000-121205	W4205RK	4000-120A206	4000-118A206	4000-119A206
W4206	2-3/8"	60	4000-121206	W4206RK	4000-120A206	4000-118A206	4000-119A206
W4207	2-7/16"	62	4000-121207	W4207RK	4000-120A209	4000-118A209	4000-119A209
W4208	2-1/2"	63	4000-121208	W4208RK	4000-120A209	4000-118A209	4000-119A209
W4209	2-9/16"	65	4000-121209	W4209RK	4000-120A209	4000-118A209	4000-119A209
W4210	2-5/8"	67	4000-121210	W4210RK	4000-120A212	4000-118A212	4000-119A212
W4211	2-11/16"	68	4000-121211	W4211RK	4000-120A212	4000-118A212	4000-119A212
W4212	2-3/4"	70	4000-121212	W4212RK	4000-120A212	4000-118A212	4000-119A212
W4213	2-13/16"	71	4000-121213	W4213RK	4000-120A215	4000-118A215	4000-119A215
W4214	2-7/8"	73	4000-121214	W4214RK	4000-120A215	4000-118A215	4000-119A215
W4215	2-15/16"	75	4000-121215	W4215RK	4000-120A215	4000-118A215	4000-119A215
W4300	3"	77	4000-121300	W4300RK	4000-120A302	4000-118A302	4000-119A302
W4301	3-1/16"	78	4000-121301	W4301RK	4000-120A302	4000-118A302	4000-119A302
W4302	3-1/8"	80	4000-121302	W4302RK	4000-120A302	4000-118A302	4000-119A302
W4303	3-3/16"	81	4000-121303	W4303RK	4000-120A306	4000-118A306	4000-119A306
W4304	3-1/4"	83	4000-121304	W4304RK	4000-120A306	4000-118A306	4000-119A306
W4305	3-5/16"	84	4000-121305	W4305RK	4000-120A306	4000-118A306	4000-119A306
W4085M	- - -	85	4000-121085M	W4085MRK	4000-120A306	4000-118A306	4000-119A306
W4306	3-3/8"	86	4000-121306	W4306RK	4000-120A306	4000-118A306	4000-119A306

**Notes:**

Items 6 and 18 are available only as a kit (not sold separately).  
 Items 4 and 24 are available only as a subassembly (not sold separately).  
 Enerpac recommends that all kit and subassembly components be installed to assure optimum performance of the repaired product.



Item	Description
2	RH Sideplate
3	LH Sideplate
4	Ratchet Lever
5	Ratchet
6	Drive Shoe
18	Spring
24	Pin

**Notes:**

Items 5, 6 and 18 are included as part of Ratchet Kit.

Items 4 and 24 are included as part of Ratchet Lever and Pin Assembly.

Sideplates (items 2 and 3) must be ordered separately.

Refer to table on page 8 for additional information.

**Figure 4, Ratchet, Drive Shoe and Sideplates, Model W4000**

**Ratchet and Sideplate Parts List for W-Series Cassettes, Model W8000**

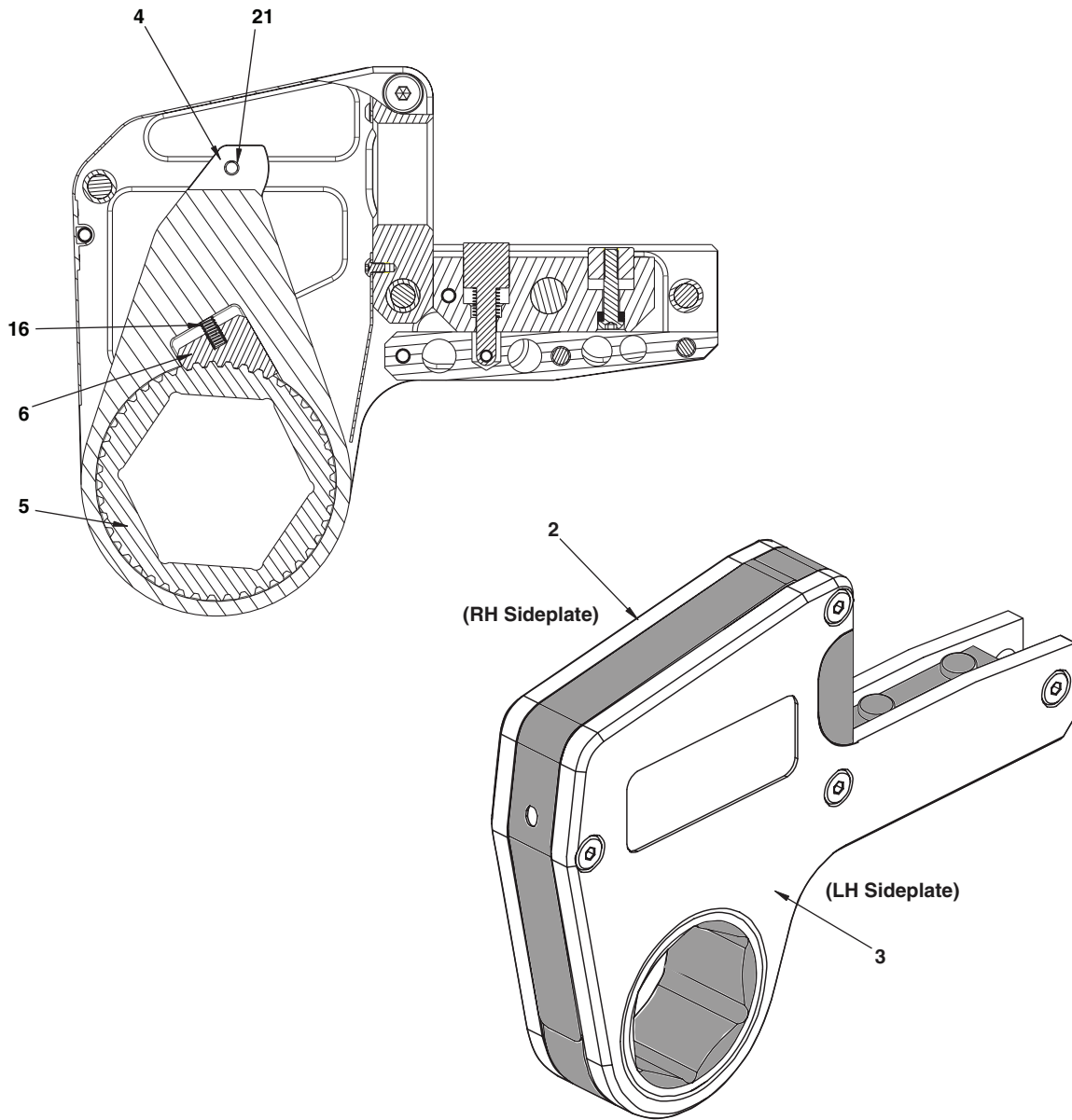
Cassette Model	Size		Part Numbers				
	Inch	Metric	Ratchet Only (item 5)	Ratchet Kit (items 5, 6 & 16)	Ratchet Lever and Pin Assy. (items 4 & 21)	LH Sideplate (item 3)	RH Sideplate (item 2)
W8114	1-7/8"	48	8000-121114	W8114RK	8000-120A200	8000-118A200	8000-119A200
W8115	1-15/16"	49	8000-121115	W8115RK	8000-120A200	8000-118A200	8000-119A200
W8200	2"	50	8000-121200	W8200RK	8000-120A200	8000-118A200	8000-119A200
W8201	2-1/16"	52	8000-121201	W8201RK	8000-120A203	8000-118A203	8000-119A203
W8202	2-1/8"	54	8000-121202	W8202RK	8000-120A203	8000-118A203	8000-119A203
W8203	2-3/16"	55	8000-121203	W8203RK	8000-120A203	8000-118A203	8000-119A203
W8204	2-1/4"	57	8000-121204	W8204RK	8000-120A206	8000-118A206	8000-119A206
W8205	2-5/16"	59	8000-121205	W8205RK	8000-120A206	8000-118A206	8000-119A206
W8206	2-3/8"	60	8000-121206	W8206RK	8000-120A206	8000-118A206	8000-119A206
W8207	2-7/16"	62	8000-121207	W8207RK	8000-120A209	8000-118A209	8000-119A209
W8208	2-1/2"	63	8000-121208	W8208RK	8000-120A209	8000-118A209	8000-119A209
W8209	2-9/16"	65	8000-121209	W8209RK	8000-120A209	8000-118A209	8000-119A209
W8210	2-5/8"	67	8000-121210	W8210RK	8000-120A212	8000-118A212	8000-119A212
W8211	2-11/16"	68	8000-121211	W8211RK	8000-120A212	8000-118A212	8000-119A212
W8212	2-3/4"	70	8000-121212	W8212RK	8000-120A212	8000-118A212	8000-119A212
W8213	2-13/16"	71	8000-121213	W8213RK	8000-120A215	8000-118A215	8000-119A215
W8214	2-7/8"	73	8000-121214	W8214RK	8000-120A215	8000-118A215	8000-119A215
W8215	2-15/16"	75	8000-121215	W8215RK	8000-120A215	8000-118A215	8000-119A215
W8300	3"	77	8000-121300	W8300RK	8000-120A302	8000-118A302	8000-119A302
W8301	3-1/16"	78	8000-121301	W8301RK	8000-120A302	8000-118A302	8000-119A302
W8302	3-1/8"	80	8000-121302	W8302RK	8000-120A302	8000-118A302	8000-119A302
W8303	3-3/16"	81	8000-121303	W8303RK	8000-120A308	8000-118A308	8000-119A308
W8304	3-1/4"	83	8000-121304	W8304RK	8000-120A308	8000-118A308	8000-119A308
W8305	3-5/16"	84	8000-121305	W8305RK	8000-120A308	8000-118A308	8000-119A308
W8085M	- - -	85	8000-121085M	W8085MRK	8000-120A308	8000-118A308	8000-119A308
W8306	3-3/8"	86	8000-121306	W8306RK	8000-120A308	8000-118A308	8000-119A308
W8307I	3-7/16"	- - -	8000-121307I	W8307IRK	8000-120A308	8000-118A308	8000-119A308
W8308	3-1/2"	89	8000-121308	W8308RK	8000-120A308	8000-118A308	8000-119A308
W8090M	- - -	90	8000-121090M	W8090MRK	8000-120A314	8000-118A314	8000-119A314
W8309	3-9/16"	91	8000-121309	W8309RK	8000-120A314	8000-118A314	8000-119A314
W8310	3-5/8"	92	8000-121310	W8310RK	8000-120A314	8000-118A314	8000-119A314
W8311	3-11/16"	94	8000-121311	W8311RK	8000-120A314	8000-118A314	8000-119A314
W8312	3-3/4"	95	8000-121312	W8312RK	8000-120A314	8000-118A314	8000-119A314
W8313	3-13/16"	97	8000-121313	W8313RK	8000-120A314	8000-118A314	8000-119A314
W8314	3-7/8"	99	8000-121314	W8314RK	8000-120A314	8000-118A314	8000-119A314
W8315	3-15/16"	100	8000-121315	W8315RK	8000-120A402	8000-118A402	8000-119A402
W8400	4"	102	8000-121400	W8400RK	8000-120A402	8000-118A402	8000-119A402
W8401I	4-1/16"	- - -	8000-121401I	W8401IRK	8000-120A402	8000-118A402	8000-119A402
W8402	4-1/8"	105	8000-121402	W8402RK	8000-120A402	8000-118A402	8000-119A402

**Notes:**

Items 6 and 16 are available only as a kit (not sold separately).

Items 4 and 21 are available only as a subassembly (not sold separately).

Energpac recommends that all kit and subassembly components be installed to assure optimum performance of the repaired product.



Item	Description
2	RH Sideplate
3	LH Sideplate
4	Ratchet Lever
5	Ratchet
6	Drive Shoe
16	Spring
21	Pin

Notes:

Items 5, 6 and 16 are included as part of Ratchet Kit.

Items 4 and 21 are included as part of Ratchet Lever and Pin Assembly.

Sideplates (items 2 and 3) must be ordered separately.

Refer to table on page 10 for additional information.

Figure 5, Ratchet, Drive Shoe and Sideplates, Model W8000

**Ratchet and Sideplate Parts List for W-Series Cassettes, Model W15000**

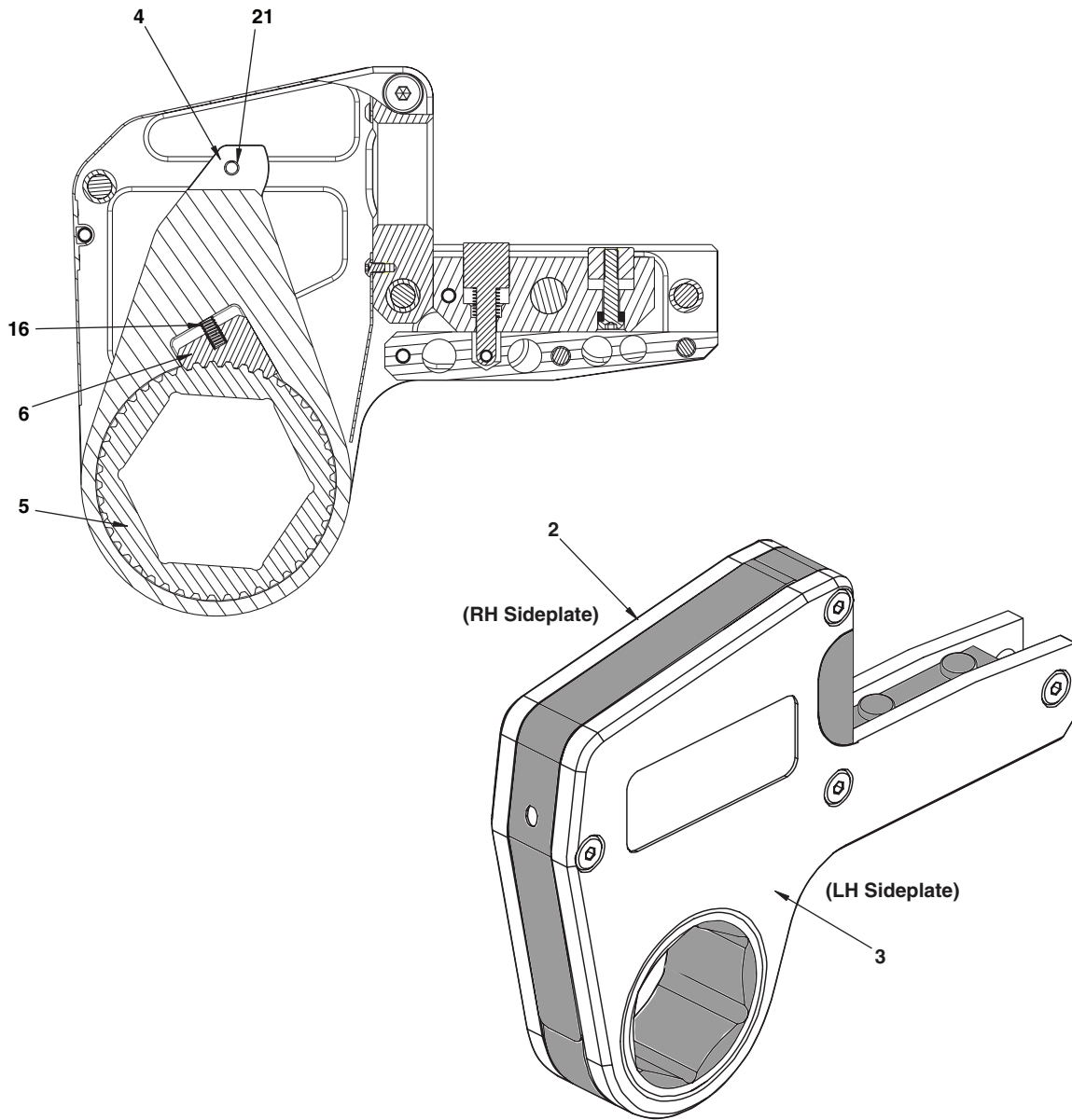
Cassette Model	Size		Part Numbers				
	Inch	Metric	Ratchet Only (item 5)	Ratchet Kit (items 5, 6 & 16)	Ratchet Lever and Pin Assy. (items 4 & 21)	LH Sideplate (item 3)	RH Sideplate (item 2)
W15207	2-7/16"	62	15000-121207	W15207RK	15000-120212	15000-118212	15000-119212
W15208	2-1/2"	63	15000-121208	W15208RK	15000-120212	15000-118212	15000-119212
W15209	2-9/16"	65	15000-121209	W15209RK	15000-120212	15000-118212	15000-119212
W15210	2-5/8"	67	15000-121210	W15210RK	15000-120212	15000-118212	15000-119212
W15211	2-11/16"	68	15000-121211	W15211RK	15000-120212	15000-118212	15000-119212
W15212	2-3/4"	70	15000-121212	W15212RK	15000-120212	15000-118212	15000-119212
W15213	2-13/16"	71	15000-121213	W15213RK	15000-120215	15000-118215	15000-119215
W15214	2-7/8"	73	15000-121214	W15214RK	15000-120215	15000-118215	15000-119215
W15215	2-15/16"	75	15000-121215	W15215RK	15000-120215	15000-118215	15000-119215
W15300	3"	77	15000-121300	W15300RK	15000-120302	15000-118302	15000-119302
W15301	3-1/16"	78	15000-121301	W15301RK	15000-120302	15000-118302	15000-119302
W15302	3-1/8"	80	15000-121302	W15302RK	15000-120302	15000-118302	15000-119302
W15303	3-3/16"	81	15000-121303	W15303RK	15000-120308	15000-118308	15000-119308
W15304	3-1/4"	83	15000-121304	W15304RK	15000-120308	15000-118308	15000-119308
W15305	3-5/16"	84	15000-121305	W15305RK	15000-120308	15000-118308	15000-119308
W15085M	- - -	85	15000-121085M	W15085MRK	15000-120308	15000-118308	15000-119308
W15306	3-3/8"	86	15000-121306	W15306RK	15000-120308	15000-118308	15000-119308
W15307I	3-7/16"	- - -	15000-121307I	W15307IRK	15000-120308	15000-118308	15000-119308
W15308	3-1/2"	89	15000-121308	W15308RK	15000-120308	15000-118308	15000-119308
W15090M	- - -	90	15000-121090M	W15090MRK	15000-120314	15000-118314	15000-119314
W15309	3-9/16"	91	15000-121309	W15309RK	15000-120314	15000-118314	15000-119314
W15310	3-5/8"	92	15000-121310	W15310RK	15000-120314	15000-118314	15000-119314
W15311	3-11/16"	94	15000-121311	W15311RK	15000-120314	15000-118314	15000-119314
W15312	3-3/4"	95	15000-121312	W15312RK	15000-120314	15000-118314	15000-119314
W15313	3-13/16"	97	15000-121313	W15313RK	15000-120314	15000-118314	15000-119314
W15314	3-7/8"	99	15000-121314	W15314RK	15000-120314	15000-118314	15000-119314
W15315	3-15/16"	100	15000-121315	W15315RK	15000-120404	15000-118404	15000-119404
W15400	4"	102	15000-121400	W15400RK	15000-120404	15000-118404	15000-119404
W15401I	4-1/16"	- - -	15000-121401I	W15401IRK	15000-120404	15000-118404	15000-119404
W15402	4-1/8"	105	15000-121402	W15402RK	15000-120404	15000-118404	15000-119404
W15403I	4-3/16"	- - -	15000-121403I	W15403IRK	15000-120404	15000-118404	15000-119404
W15404	4-1/4"	108	15000-121404	W15404RK	15000-120404	15000-118404	15000-119404
W15405	4-5/16"	110	15000-121405	W15405RK	15000-120410	15000-118410	15000-119410
W15406	4-3/8"	111	15000-121406	W15406RK	15000-120410	15000-118410	15000-119410
W15407	4-7/16"	113	15000-121407	W15407RK	15000-120410	15000-118410	15000-119410
W15408I	4-1/2"	- - -	15000-121408I	W15408IRK	15000-120410	15000-118410	15000-119410
W15115M	- - -	115	15000-121115M	W15115MRK	15000-120410	15000-118410	15000-119410
W15409I	4-9/16"	- - -	15000-121409I	W15409IRK	15000-120410	15000-118410	15000-119410
W15410I	4-5/8"	- - -	15000-121410I	W15410IRK	15000-120410	15000-118410	15000-119410

**Notes:**

Items 6 and 16 are available only as a kit (not sold separately).

Items 4 and 21 are available only as a subassembly (not sold separately).

Energpac recommends that all kit and subassembly components be installed to assure optimum performance of the repaired product.



Item	Description
2	RH Sideplate
3	LH Sideplate
4	Ratchet Lever
5	Ratchet
6	Drive Shoe
16	Spring
21	Pin

Notes:

Items 5, 6 and 16 are included as part of Ratchet Kit.

Items 4 and 21 are included as part of Ratchet Lever and Pin Assembly.

Sideplates (items 2 and 3) must be ordered separately.

Refer to table on page 12 for additional information.

Figure 6, Ratchet, Drive Shoe and Sideplates, Model W15000

**Repair Parts List for W-Series Drive Units, Models W2000 and W4000**

Item	Model W2000	Model W4000	Qty.	Description
1	2000-101A	4000-101A	1	Cylinder Body
2	2000-106A *	4000-106A **	1	Cylinder Bushing
3	2000-104 *	4000-104 **	1	Piston Rod
4	2000-105 *	4000-105 **	1	Retract Link
5	2000-103 *	4000-103 **	1	Piston
6	2000-102 *	4000-102 **	1	Cylinder Gland
7	1000S-004 †	1000S-004 ††	1	Swivel Manifold Post (Small)
8	1000S-003 †	1000S-003 ††	1	Swivel Manifold Block (Small)
9	TR630	TR630	1	Coupling, 10,000 PSI Screw-On (F)
10	FZ1608	FZ1608	1	Nipple, Hex 10,000 PSI
11	TH630	TH630	1	Coupling, 10,000 PSI Screw-On (M)
12	E2-334 ❖	E2-360 ❖❖	1	Seal Rod
13	E2-314 ❖	E2-312 ❖❖	1	Seal T Piston w/Back Up Rings
14	E2-304 ❖ † *	E2-304 ❖❖ †† **	2	O-Ring
15	E2-316 ❖	E2-311 ❖❖	1	O-Ring
16	E2-317 ❖	E2-313 ❖❖	1	O-Ring
17	E2-239 ❖ † *	E2-239 ❖❖ †† **	2	O-Ring, Poly
18	E2-237 ❖ † *	E2-237 ❖❖ †† **	1	O-Ring, Poly
19	E4-578 *	E4-560 **	1	Screw, Button Head
20	E4-598 †	E4-598 ††	4	Swivel Manifold Retaining Bolt
21	E4-017❖ † *	E4-017 ❖❖ †† **	1	Circlip
22	E4-577 *	E4-561 **	1	Pin, Spirol Spring
23	E3-074 *	E3-074 **	1	Spring, Compression

Notes:

**W2000:**

- ❖ Items included as part of Drive Unit Seal Kit W2000SK.
- \* Items included as part of Retract Link Kit W2000RLK.
- † Items included as part of Swivel Manifold Kit W2000SMK.
- \*\* Items included as part of Drive Unit Rebuild Kit W2000DRK.
- \*\* Items included as part of Swivel Manifold Seal Kit W2000SMSK.

**W4000:**

- ❖❖ Items included as part of Drive Unit Seal Kit W4000SK.
- \*\* Items included as part of Retract Link Kit W4000RLK.
- †† Items included as part of Swivel Manifold Kit W4000SMK.
- \*\* Items included as part of Drive Unit Rebuild Kit W4000DRK.
- \*\* Items included as part of Swivel Manifold Seal Kit W2000SMSK.

Except as noted, kit components are not sold separately and must be purchased as part of a kit. Enerpac recommends that all kit components be installed to assure optimum performance of the repaired product.

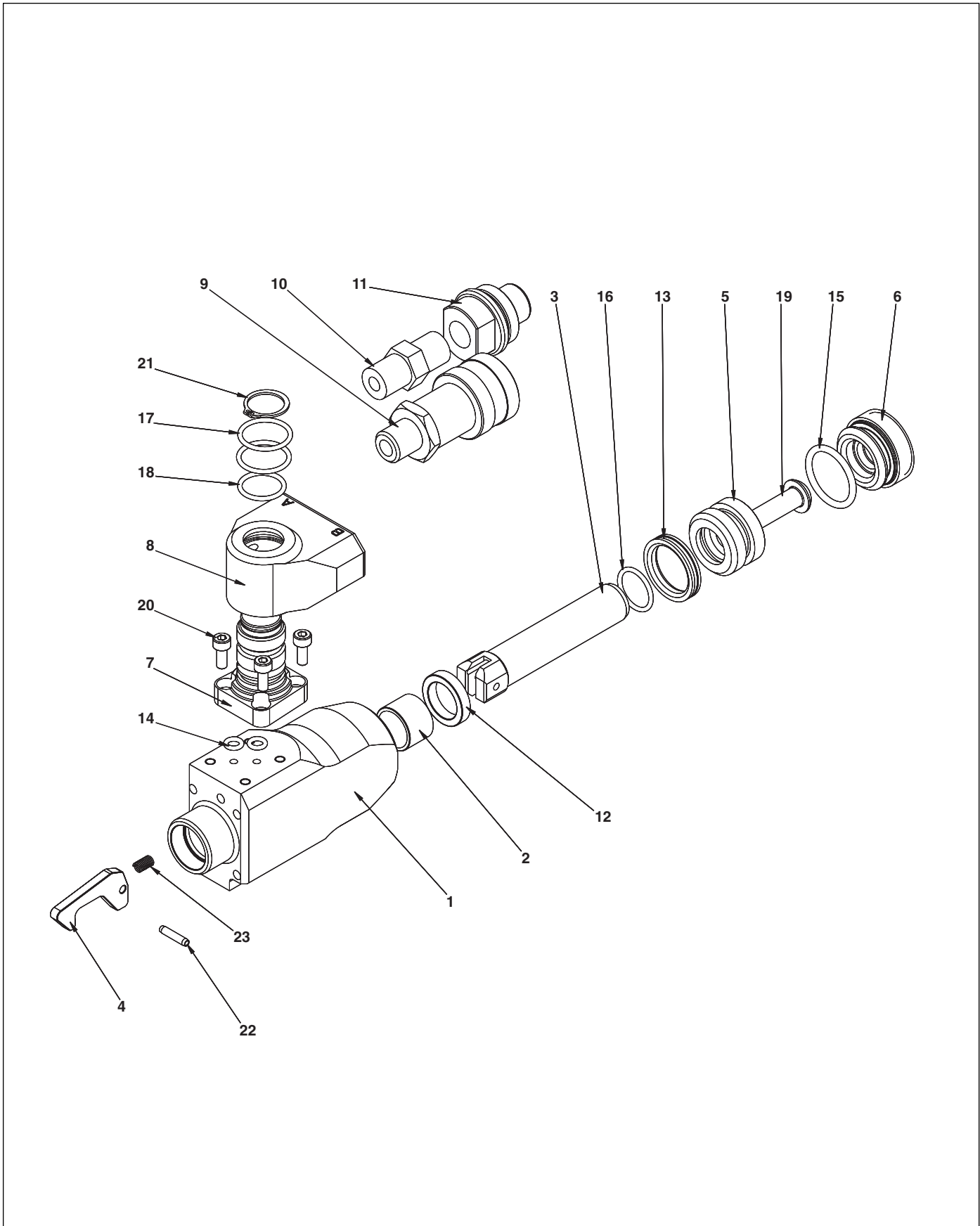


Figure 8, Drive Unit, Models W2000 and W4000

**Repair Parts List for W-Series Drive Units, Models W8000 and W15000**

Item	Model W8000	Model W15000	Qty.	Description
1	8000-101A	15000-101A	1	Cylinder Body
2	8000-106 *	15000-106 **	1	Cylinder Bushing
3	8000-104 *	15000-104 **	1	Piston Rod
4	8000-105 *	15000-105 **	1	Retract Link
5	8000-103 *	15000-103 **	1	Piston
6	8000-102 *	15000-102 **	1	Cylinder Gland
7	1000S-002 †	1000S-002 ††	1	Swivel Manifold Post
8	1000S-001 †	1000S-001 ††	1	Swivel Manifold Block (Large)
9	TR630	TR630	1	Coupling, 10,000 PSI Screw-On (F)
10	FZ1608	FZ1608	1	Nipple, Hex 10,000 PSI
11	TH630	TH630	1	Coupling, 10,000 PSI Screw-On (M)
12	E2-341 ❖	E2-342 ❖❖	1	Seal Rod
13	E2-031 ❖	E2-340 ❖❖	1	Seal T Piston w/Back Up Rings
14	E2-304 ❖ † *	E2-304 ❖❖ †† **	2	O-Ring
15	E2-061 ❖	E2-343 ❖❖	1	O-Ring
16	E2-102 ❖	E2-328 ❖❖	1	O-Ring
17	E2-241 ❖ † *	E2-241 ❖❖ †† **	2	O-Ring, Poly
18	E2-239 ❖ † *	E2-239 ❖❖ †† **	1	O-Ring, Poly
19	E4-606 *	E4-606 **	1	Screw, Button Head
20	E4-506 †	E4-506 ††	4	Swivel Manifold Retaining Bolt
21	E4-030 ❖ † *	E4-030 ❖❖ †† **	1	Circlip
22	E4-577 *	E4-561 **	1	Pin, Spirol Spring
23	E3-016 *	E3-016 **	1	Spring, Compression

Notes:

**W8000:**

- ❖ Items included as part of Drive Unit Seal Kit W8000SK.
- \* Items included as part of Retract Link Kit W8000RLK.
- † Items included as part of Swivel Manifold Kit W8000SMK.
- \*\* Items included as part of Drive Unit Rebuild Kit W8000DRK.
- \*\* Items included as part of Swivel Manifold Seal Kit W8000SMSK.

**W15000:**

- ❖❖ Items included as part of Drive Unit Seal Kit W15000SK.
- \*\* Items included as part of Retract Link Kit W15000RLK.
- †† Items included as part of Swivel Manifold Kit W8000SMK. (W8000 & W15000 use same kit)
- \*\* Items included as part of Drive Unit Rebuild Kit W15000DRK.
- \*\* Items included as part of Swivel Manifold Seal Kit W8000SMSK. (W8000 & W15000 use same kit)

Except as noted, kit components are not sold separately and must be purchased as part of a kit. Enerpac recommends that all kit components be installed to assure optimum performance of the repaired product.

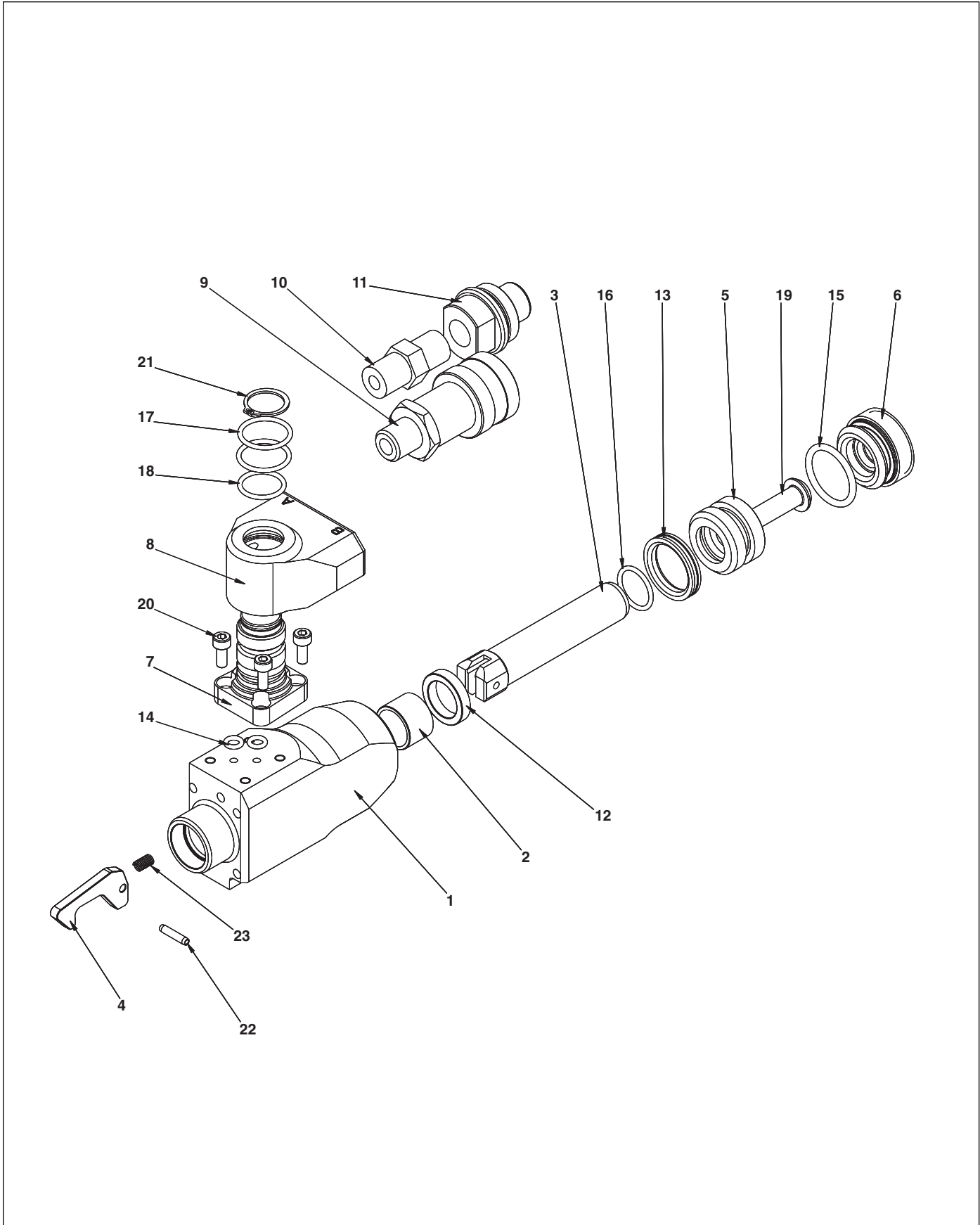


Figure 8, Drive Unit, Models W8000 and W15000

## Enerpac Worldwide Locations

### Africa

ENERPAC Middle East FZE  
P.O. Box 18004  
Jebel Ali, Dubai  
United Arab Emirates  
Tel: +971 (0)4 8872686  
Fax: +971 (0)4 8872687

### Australia

Actuant Australia Ltd.  
Block V Unit 3  
Regents Park Estate  
391 Park Road  
Regents Park NSW 2143  
(P.O. Box 261) Australia  
Tel: +61 297 438 988  
Fax: +61 297 438 648

### Brazil

Power Packer do Brasil Ltda.  
Rua dos Inocentes, 587  
04764-050 - Sao Paulo (SP)  
Tel: +55 11 5687 2211  
Fax: +55 11 5686 5583  
**Toll Free in Brazil:**  
Tel: 0800 891 5770  
vendabrasil@enerpac.com

### Canada

Actuant Canada Corporation  
6615 Ordan Drive, Unit 14-15  
Mississauga, Ontario L5T 1X2  
Tel: +1 905 564 5749  
Fax: +1 905 564 0305  
**Toll Free:**  
Tel: +1 800 268 4987  
Fax: +1 800 461 2456  
**Technical Inquiries:**  
techservices@enerpac.com

### China

Actuant China Ltd.  
1F, 269 Fute N. Road  
Waigaoqiao Free Trade Zone  
Pudong New District  
Shanghai, 200 131 China  
Tel: +86 21 5866 9099  
Fax: +86 21 5866 7156

◆ e-mail: info@enerpac.com

### Actuant China Ltd. (Beijing)

709B Diyang Building  
Xin No. 2  
Dong San Huan North Rd.  
Beijing City  
100028 China  
Tel: +86 10 845 36166  
Fax: +86 10 845 36220

### Central and Eastern Europe, Greece

ENERPAC B.V.  
Galvanistraat 115  
P.O. Box 8097  
6710 AB Ede  
The Netherlands  
Tel: +31 318 535 936  
Fax: +31 318 535 951

### France, Switzerland francophone

ENERPAC  
Une division de ACTUANT  
France S.A.  
B.P. 200, Parc d'Activités  
du Moulin de Massy  
F-91882 Massy CEDEX France  
Tel: +33 1 60 13 68 68  
Fax: +33 1 69 20 37 50

### Germany, Austria, Greece

and Switzerland  
ENERPAC GmbH  
P.O. Box 300113  
D-40401 Düsseldorf  
Germany  
Tel: +49 211 471 490  
Fax: +49 211 471 49 28

### India

ENERPAC Hydraulics  
(India) Pvt. Ltd.  
Office No. 9, 10 & 11,  
Plot No. 56, Monarch Plaza,  
Sector 11, C.B.D. Belapur  
Navi Mumbai 400614, India  
Tel: +91 22 2756 6090  
Tel: +91 22 2756 6091  
Fax: +91 22 2756 6095

### Italy

ENERPAC S.p.A.  
Via Canova 4  
20094 Corsico (Milano)  
Tel: +39 02 4861 111  
Fax: +39 02 4860 1288

### Japan

Applied Power Japan Ltd.  
Besshochou 85-7  
Saitama-shi, Kita-ku,  
Saitama 331-0821  
Japan  
Tel: +81 48 662 4911  
Fax: +81 48 662 4955

### Middle East, Turkey and Caspian Sea

ENERPAC Middle East FZE  
P.O. Box 18004  
Jebel Ali, Dubai  
United Arab Emirates  
Tel: +971 (0)4 8872686  
Fax: +971 (0)4 8872687

### Russia and CIS

#### (excl. Caspian Sea Countries)

Actuant LLC  
Admiral Makarov Street 8  
125212 Moscow, Russia  
Tel: +7-495-9809091  
Fax: +7-495-9809092

### Singapore

Actuant Asia Pte. Ltd.  
25 Serangoon North Ave. 5  
#03-01 Keppel Dighub  
Singapore 554914  
Thomson Road  
P.O. Box 114  
Singapore 915704  
Tel: +65 64 84 5108  
+65 64 84 3737  
Fax: +65 64 84 5669  
Toll Free: +1800 363 7722  
**Technical Inquiries:**  
techsupport@enerpac.com.sg

◆ internet: www.enerpac.com

### South Korea

Actuant Korea Ltd.  
3Ba 717,  
Shihwa Industrial Complex  
Jungwang-Dong, Shihung-Shi, Kyunggi-Do  
Republic of Korea 429-450  
Tel: +82 31 434 4506  
Fax: +82 31 434 4507

### Spain and Portugal

ENERPAC  
C/San José Artesano 8  
Pol. Ind.  
28108 Alcobendas  
(Madrid) Spain  
Tel: +34 91 661 11 25  
Fax: +34 91 661 47 89

### The Netherlands, Belgium, Luxembourg, Sweden, Denmark, Norway, Finland and Baltic States

ENERPAC B.V.  
Galvanistraat 115  
P.O. Box 8097, 6710 AB Ede  
The Netherlands  
Tel: +31 318 535 911  
Fax: +31 318 525 613  
+31 318 535 848

**Technical Inquiries Europe:**  
techsupport.europe@enerpac.com

### United Kingdom, Ireland

ENERPAC Ltd.  
Enerpac Ltd  
Bentley Road South  
Darlaston, West Midlands  
WS10 8LQ, United Kingdom  
Tel: +44 (0)121 50 50 787  
Fax: +44 (0)121 50 50 799

### USA, Latin America and Caribbean

ENERPAC  
P.O. Box 3241  
6100 N. Baker Road  
Milwaukee, WI 53209 USA  
Tel: +1 262 781 6600  
Fax: +1 262 783 9562

**Inquiries/orders:**  
+1 800 558 0530  
**Technical Inquiries:**  
techservices@enerpac.com

All Enerpac products are guaranteed against defects in workmanship and materials for as long as you own them.  
For your nearest authorized Enerpac Service Center, visit us at [www.enerpac.com](http://www.enerpac.com)