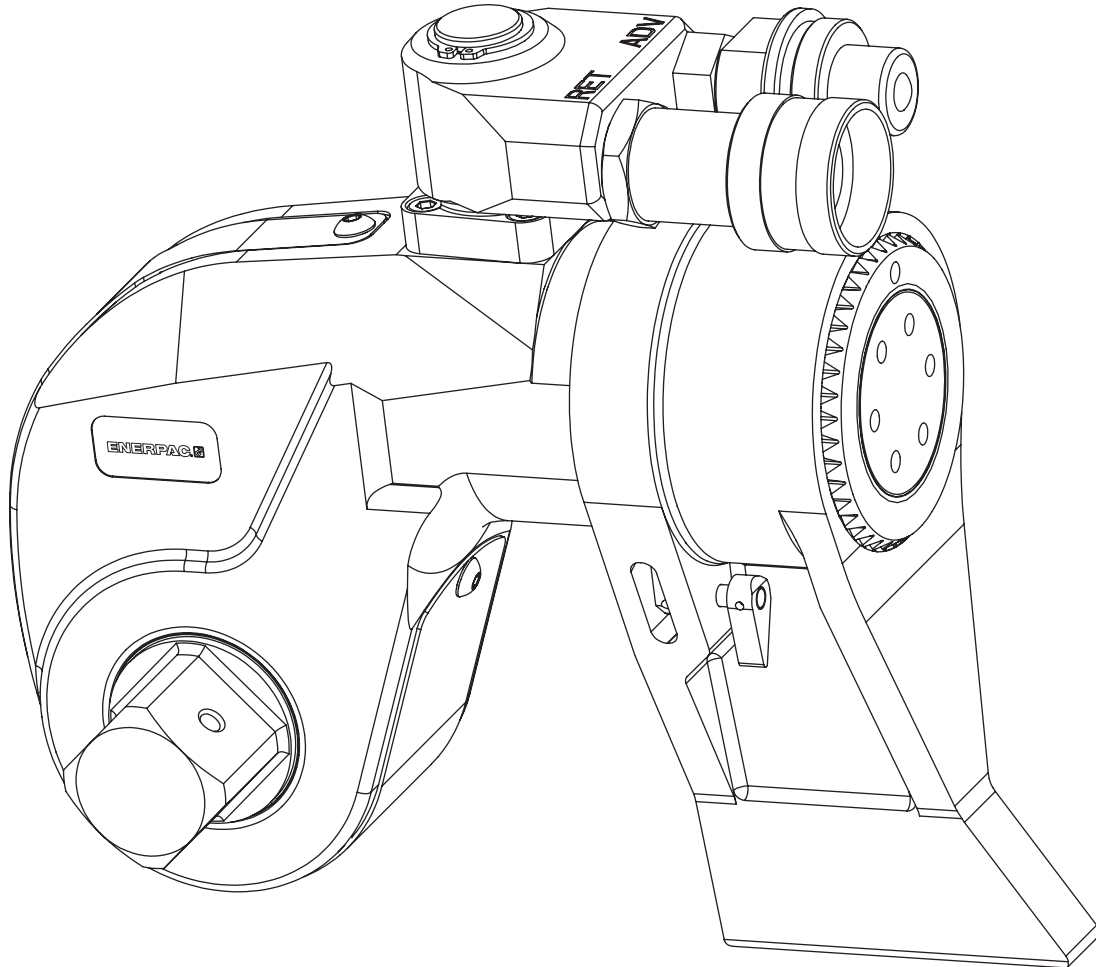


L2684 Rev. B 09/06

For Date Codes Beginning with the Letter "A"
(Models S1500, S3000, S11000 & S25000 only)
and Letter "C" (Model S6000 only)



Contents	Page
Model S1500	2-3
Model S3000	4-5
Model S6000	6-7
Model S11000	8-9
Model S25000	10-11

Repair Parts List for Model S1500 (Refer to Figure 1)

Item	Part Number	Qty.	Description	Item	Part Number	Qty.	Description
1	DC7316157SR	1	Body	26	E2-233 ★	1	O-Ring
2	1500S-102 ❖	1	Body Bushing	27	E2-235 ★	1	O-Ring
3	DC7318019SR	1	Drive Unit End Plug	28	E2-032 ★	1	Rod T-seal
4	1500S-104 ❖	1	Piston	29	E2-102 ★	1	O-Ring
5	1500S-105 ❖	1	Piston Rod	30	E4-593 ★ ❖ ○	1	Retaining Ring
6	1500S-106 ❖	1	Piston Locknut	31	E2-304 ★ † *	2	O-Ring
7	1500S-107 ❖	1	Piston Rod Bushing	32	E2-237 ★ † *	1	O-Ring
8	1500S-108	2	Side Plate Bushing	33	E2-239 ★ † *	2	O-Ring
9	DC7316157SR	1	Ratchet Lever and Pin	34	E4-598 ★ † ○	4	Sw. Manifold Ret. Bolt
10	1500S-110 ■	1	Ratchet	35	E4-017 ★ † ○ *	1	Swivel Manifold Circlip
11	1500S-111 ■	1	Drive Shoe	36	E4-444 ◆ ○	1	Button Head Screw
12	SD15-012	1	Square Drive	37	E3-074 ■ ○	2	Drive Shoe Spring
14	1500S-129 ▲	1	Retaining Bushing	38	E4-280 ❖ ■ ○	1	Pin
15	1500S-130A ▲	1	Sq. Drive Holder Ret. Assy.	42	E4-685 ▲ ○	1	Retaining Ring
17	SRS15	1	Reaction Arm	43	TH-630 ○	1	Male Coupling
18	DC7319160SR ●	1	Reaction Arm Retainer	44	TR-630 ○	1	Female Coupling
19	1500S-118L/P ●	1	Arm Ret. Pivot Pin Assy.	45	FZ1608 ○	1	Male Adapter
20	1500S-118	1	Reaction Arm Ret. Lever	47	E4-597 ● ○	1	Set Screw
21	1500S-135 ◆	1	Guard	48	E3-085 ● ○	1	Torsion Spring
22	DC7322840SR †	1	Swivel Manifold Post	49	E4-594 ● ○	1	Sel-Lok Pin
23	DC7323840SR †	1	Swivel Manifold Block	50	1500S-136 ◆	1	Guard Pin
24	E2-243 ★	1	O-Ring	53	SL100141 ○	2	Label, Enerpac
25	E2-325 ★	1	Piston T-seal				

Notes:

- ★ Items included as part of Drive Unit Seal Kit S1500SK.
- † Items included as part of Swivel Manifold Kit S1500SMK.
- ❖ Items included as part of Drive Unit Rebuild Kit S1500DK.
- Items included as part of Ratchet Kit S1500RK.
- ◆ Items included as part of Guard Kit S1500GK.
- ▲ Items included as part of Square Drive Retainer Kit S1500SDRK.
- Items included as part of Reaction Arm Parts Kit S1500RAK.
- Items included as part of Spare Parts Kit S1500SPK.
- * Items included as part of Swivel Manifold Seal Kit W2000SMSK.

Items 10, 11, 22, 23, 43, 44 and 45 can be ordered individually or as part of a kit. All other kit items are available only in kits (not sold separately).

**Enerpac
recommends that
all kit
components be
installed to
assure optimum
performance of
the repaired
product.**

S1500

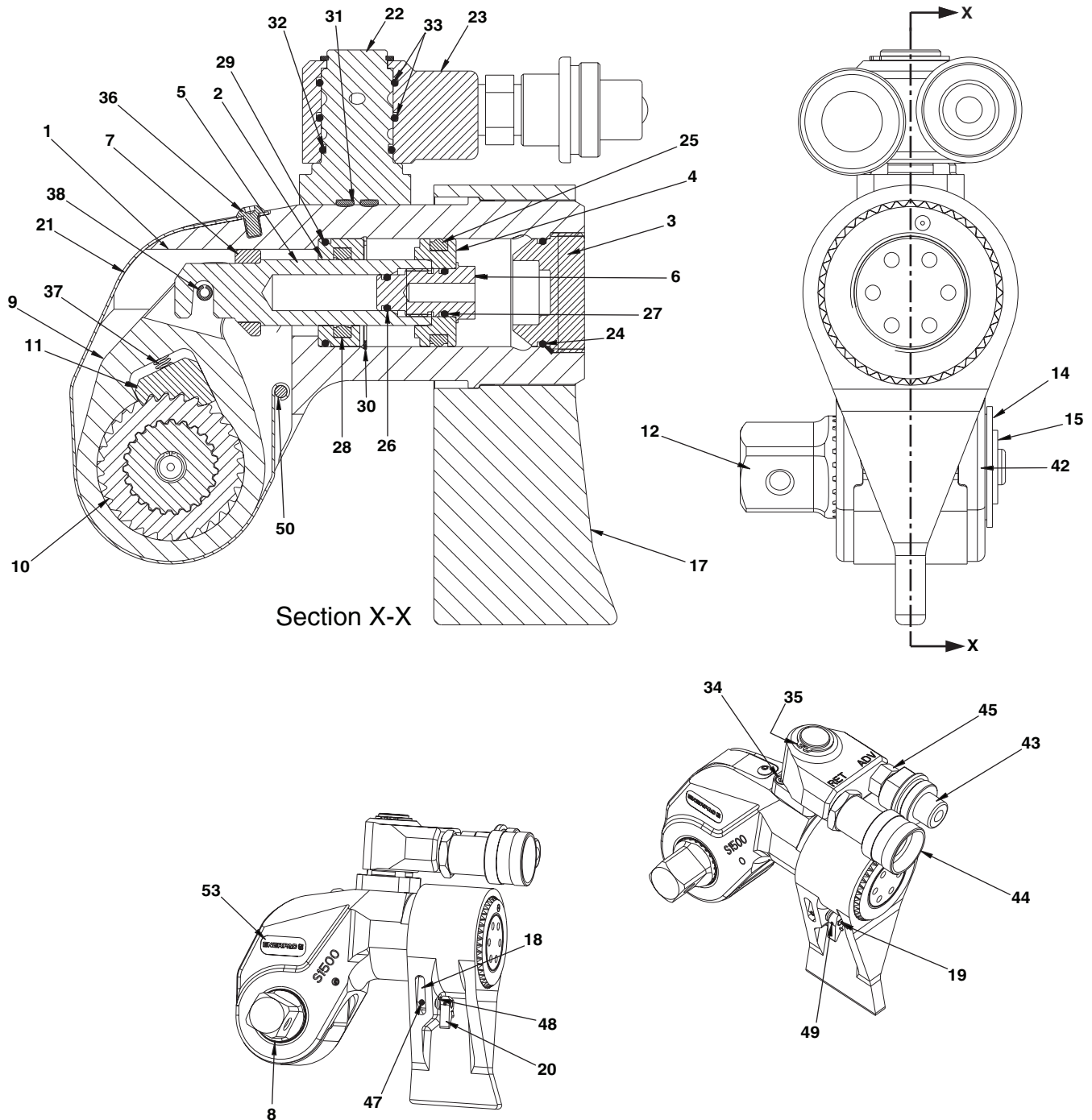


Figure 1, Model S1500

Repair Parts List for Model S3000 (Refer to Figure 2)

Item	Part Number	Qty.	Description	Item	Part Number	Qty.	Description
1	DC7324190SR	1	Body	25	E2-318 ★	1	Piston T-seal
2	3000S-102 ❖	1	Body Bushing	26	E2-173 ★	1	O-Ring
3	DC7325019SR	1	Drive Unit End Plug	27	E2-237 ★	1	O-Ring
4	3000S-104 ❖	1	Piston	28	E2-040 ★	1	Rod T-seal
5	3000S-133 ❖	1	Piston Rod	29	E2-319 ★	1	O-Ring
6	3000S-106 ❖	1	Piston Locknut	30	E4-583 ★ ❖ ○	1	Retaining Ring
7	3000S-107 ❖	1	Piston Rod Bushing	31	E2-304 ★ † *	2	O-Ring
8	3000S-108	2	Side Plate Bushing	32	E2-237 ★ † *	1	O-Ring
9	DC7320157SR	1	Ratchet Lever and Pin	33	E2-239 ★ † *	2	O-Ring
10	1500S-110 ■	1	Ratchet	34	E4-598 ★ † ○	4	Sw. Manifold Ret. Bolt
11	DC7321809SR ■	1	Drive Shoe	35	E4-017 ★ † ○ *	1	Swivel Manifold Circlip
12	SD30-100	1	Square Drive	36	E4-444 ◆ ○	2	Button Head Screw
14	3000S-127 ▲	1	Retaining Bushing	37	E3-074 ○ ■	2	Drive Shoe Spring
15	3000S-128A ▲	1	Sq. Drive Holder Ret. Assy.	38	E4-282 ❖ ■ ○	1	Pin
17	SRS30	1	Reaction Arm	42	E4-687 ▲ ○	1	Retaining Ring
18	DC7319160SR ●	1	Reaction Arm Retainer	43	TH630 ○	1	Male Coupling
19	3000S-118L/P ●	1	Arm Ret. Pivot Pin Assy.	44	TR630 ○	1	Female Coupling
20	1500S-118	1	Reaction Arm Ret. Lever	45	FZ1608 ○	1	Male Adapter
21	3000S-134 ◆	1	Guard	47	E4-597 ● ○	1	Set Screw
22	DC7322840SR †	1	Swivel Manifold Post	48	E3-085 ● ○	1	Torsion Spring
23	DC7323840SR †	1	Swivel Manifold Block	49	E4-594 ● ○	1	1.5 x 8 Lg. Sel-Lok Pin
24	E2-320 ★	1	O-Ring	53	SL100164 ○	2	Label, Enerpac

Notes:

- ★ Items included as part of Drive Unit Seal Kit S3000SK.
- † Items included as part of Swivel Manifold Kit S3000SMK.
- ❖ Items included as part of Drive Unit Rebuild Kit S3000DK.
- Items included as part of Ratchet Kit S3000RK.
- ◆ Items included as part of Guard Kit S3000GK.
- ▲ Items included as part of Square Drive Retainer Kit S3000SDRK.
- Items included as part of Reaction Arm Parts Kit S3000RAK.
- Items included as part of Spare Parts Kit S3000SPK.
- * Items included as part of Swivel Manifold Seal Kit W2000SMSK.

Items 10, 11, 22, 23, 43, 44 and 45 can be ordered individually or as part of a kit. All other kit items are available only in kits (not sold separately).

**Enerpac
recommends that
all kit
components be
installed to
assure optimum
performance of
the repaired
product.**

S3000

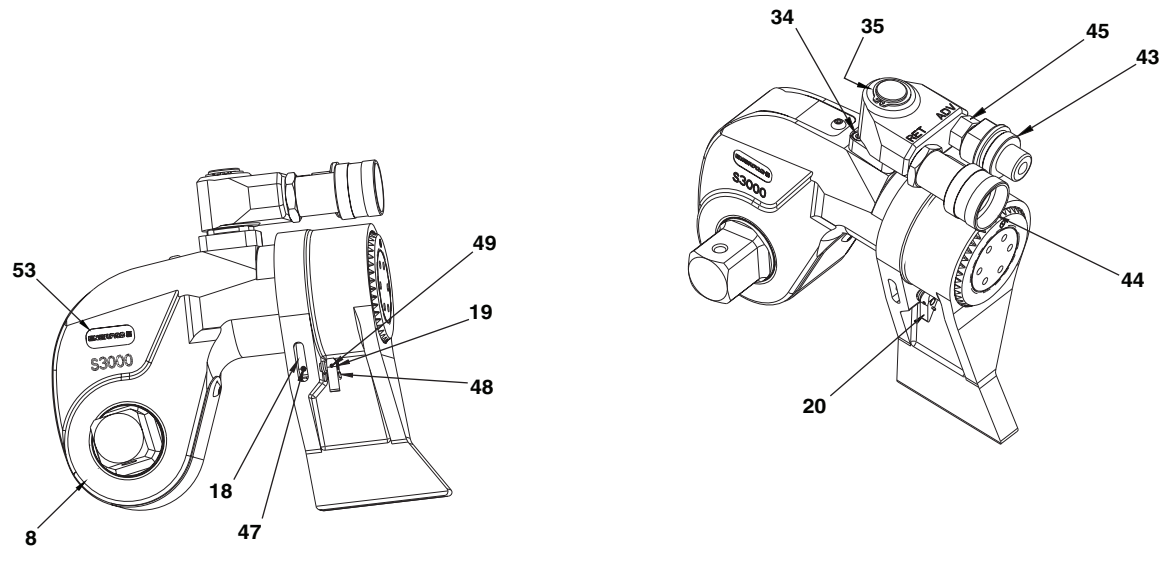
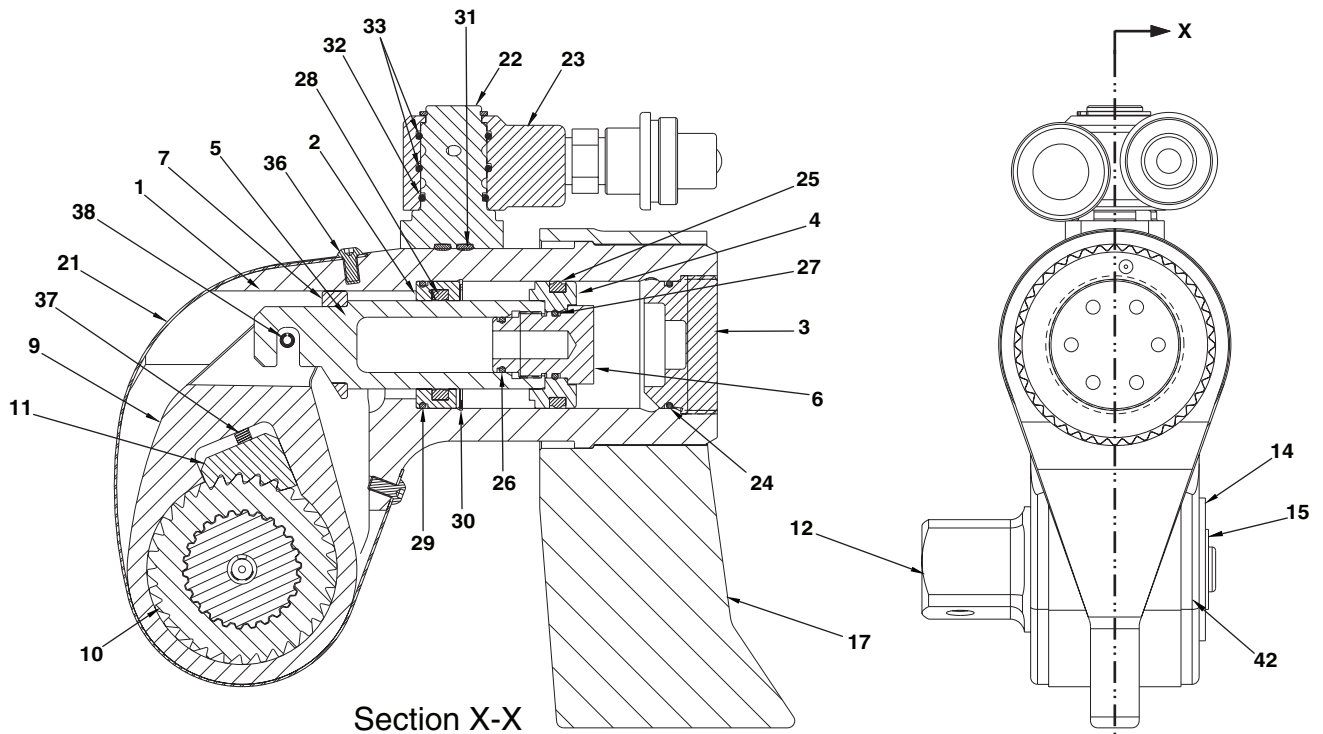


Figure 2, Model S3000

Repair Parts List for Model S6000 (Refer to Figure 3)

Item	Part Number	Qty.	Description	Item	Part Number	Qty.	Description
1	DC7330190SR	1	Body	25	E2-035 ★	1	Piston T-seal
2	6000S-131 ❖	1	Body Bushing	26	E2-236 ★	1	Piston Locknut O-Ring
3	DC7332019SR	1	Drive Unit End Plug	27	E2-238 ★	1	Piston Locknut O-Ring
4	6000S-132 ❖	1	Piston	28	E2-344 ★	1	Rod T-seal
5	6000S-152 ❖	1	Piston Rod	29	E2-345 ★	1	O-Ring
6	6000S-125 ❖	1	Piston Locknut	30	E4-628 ★ ❖ ○	1	Retaining Ring
7	6000S-134 ❖	1	Piston Rod Bushing	31	E2-304 ★ † *	2	O-Ring
8	6000S-135	2	Side Plate Bushing	32	E2-239 ★ † *	1	O-Ring
9	DC7326157SR	1	Ratchet Lever and Pin	33	E2-241 ★ † *	2	O-Ring
10	6000S-137 ■	1	Ratchet	34	E4-506 ★ † ○	4	Sw. Manifold Ret. Bolt
11	DC7327809SR ■	1	Drive Shoe	35	E4-030 ★ † ○ *	1	Swivel Manifold Circlip
12	SD60-108	1	Square Drive	36	E4-444 ◆ ○	3	Button Head Screw
14	6000S-141 ▲	1	Retaining Bushing	37	E3-016 ■ ○	2	Drive Shoe Spring
15	6000S-148A ▲	1	Sq. Drive Holder Ret. Assy.	38	E4-282 ❖ ■ ○	1	Pin
17	SRS60	1	Reaction Arm	42	E4-657 ▲ ○	1	Retaining Ring
18	DC7331160SR ●	1	Reaction Arm Retainer	43	TH630 ○	1	Male Coupling
19	3000S-118L/P ●	1	Arm Ret. Pivot Pin Assy.	44	TR630 ○	1	Female Coupling
20	1500S-118	1	Reaction Arm Ret Lever	45	FZ1608 ○	1	Male Adapter
21	6000S-153 ◆	1	Guard	47	E4-597 ● ○	1	Set Screw
22	DC7328840SR †	1	Swivel Manifold Post	48	E3-085 ● ○	1	Torsion Spring
23	DC7329840SR †	1	Swivel Manifold Block	49	E4-594 ● ○	1	1.5 x 8 Lg. Sel-Lok Pin
24	E2-253 ★	1	Gland O-Ring	53	SL100142 ○	2	Label, Enerpac

Notes:

- ★ Items included as part of Drive Unit Seal Kit S6000SK.
- † Items included as part of Swivel Manifold Kit S6000SMK.
- ❖ Items included as part of Drive Unit Rebuild Kit S6000DK.
- Items included as part of Ratchet Kit S6000RK.
- ◆ Items included as part of Guard Kit S6000GK.
- ▲ Items included as part of Square Drive Retainer Kit S6000SDRK.
- Items included as part of Reaction Arm Parts Kit S6000RAK.
- Items included as part of Spare Parts Kit S6000SPK.
- * Items included as part of Swivel Manifold Seal Kit W8000SMSK.

Items 10, 11, 22, 23, 43, 44 and 45 can be ordered individually or as part of a kit. All other kit items are available only in kits (not sold separately).

**Enerpac
recommends that
all kit
components be
installed to
assure optimum
performance of
the repaired
product.**

S6000

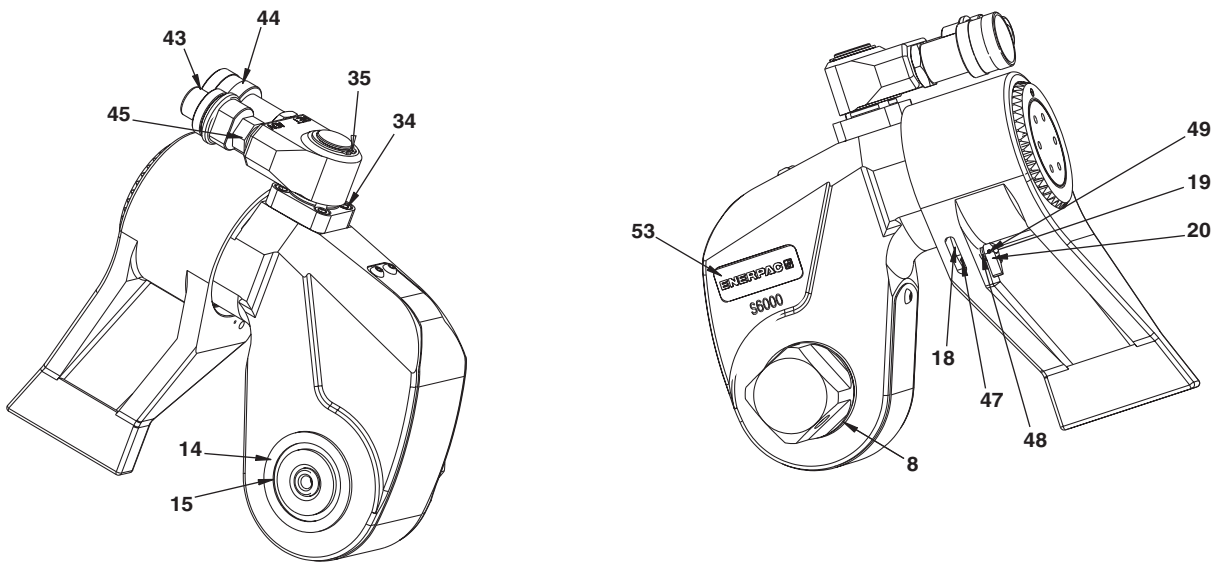
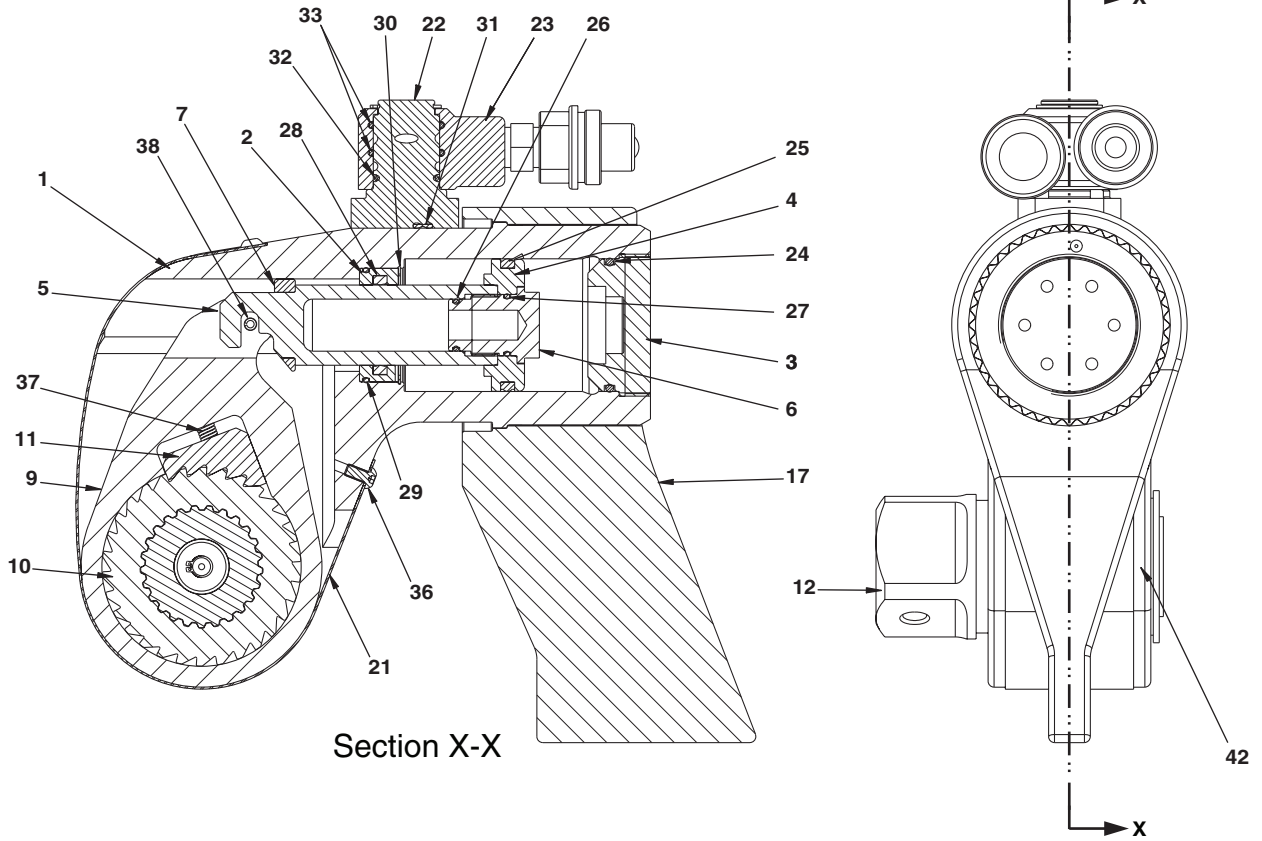


Figure 3, Model S6000

Repair Parts List for Model S11000 (Refer to Figure 4)

Item	Part Number	Qty.	Description	Item	Part Number	Qty.	Description
1	DC7335190SR	1	Body	25	E2-098 ★	1	Piston T-seal
2	11000S-102 ❖	1	Body Bushing	26	E2-238 ★	1	Piston Locknut O-Ring
3	DC7337019SR	1	Drive Unit End Plug	27	E2-240 ★	1	O-Ring Locknut (Large)
4	11000S-104 ❖	1	Piston	28	E2-226 ★	1	Rod T-seal
5	11000S-133 ❖	1	Piston Rod	29	E2-310 ★	1	O-Ring
6	11000S-106 ❖	1	Piston Locknut	30	E4-557 ★ ❖ ○	1	Retaining Ring
7	11000S-107 ❖	1	Piston Rod Bushing	31	E2-304 ★ † *	2	O-Ring
8	11000S-108	2	Side Plate Bushing	32	E2-239 ★ † *	1	O-Ring
9	DC7333157SR	1	Ratchet Lever and Pin	33	E2-241 ★ † *	2	O-Ring
10	11000S-110 ■	1	Ratchet	34	E4-506 ★ † ○	4	Sw. Manifold Ret. Bolt
11	DC7334809SR ■	1	Drive Shoe	35	E4-030 ★ † ○ *	1	Swivel Manifold Circlip
12	SD110-108	1	Square Drive	36	E4-444 ◆ ○	3	Button Head Screw
14	11000S-129 ▲	1	Retaining Bushing	37	E3-016 ■ ○	2	Drive Shoe Spring
15	6000S-148A ▲	1	Sq. Drive Holder Ret. Assy.	38	E4-688 ❖ ■ ○	1	Pin
17	SRS110	1	Reaction Arm	42	E4-657 ▲ ○	1	Retaining Ring
18	DC7336160SR ●	1	Reaction Arm Retainer	43	TH630 ○	1	Male Coupling
19	11000S-118L/P ●	1	Arm Ret. Pivot Pin Assy.	44	TR630 ○	1	Female Coupling
20	1500S-118	1	Reaction Arm Ret Lever	45	FZ1608 ○	1	Male Adapter
21	11000S-134 ◆	1	Guard	47	E4-597 ● ○	1	Set Screw
22	DC7328840SR †	1	Swivel Manifold Post	48	E3-085 ● ○	1	Torsion Spring
23	DC7329840SR †	1	Swivel Manifold Block	49	E4-594 ● ○	1	1.5 x 8 Lg. Sel-Lok Pin
24	E2-254 ★	1	O-Ring	53	SL100142 ○	2	Label, Enerpac

Notes:

- ★ Items included as part of Drive Unit Seal Kit S11000SK.
- † Items included as part of Swivel Manifold Kit S11000SMK.
- ❖ Items included as part of Drive Unit Rebuild Kit S11000DK.
- Items included as part of Ratchet Kit S11000RK.
- ◆ Items included as part of Guard Kit S11000GK.
- ▲ Items included as part of Square Drive Retainer Kit S11000SDRK.
- Items included as part of Reaction Arm Parts Kit S11000RAK.
- Items included as part of Spare Parts Kit S11000SPK.
- * Items included as part of Swivel Manifold Seal Kit W8000SMSK.

Items 10, 11, 22, 23, 43, 44 and 45 can be ordered individually or as part of a kit. All other kit items are available only in kits (not sold separately).

**Enerpac
recommends that
all kit
components be
installed to
assure optimum
performance of
the repaired
product.**

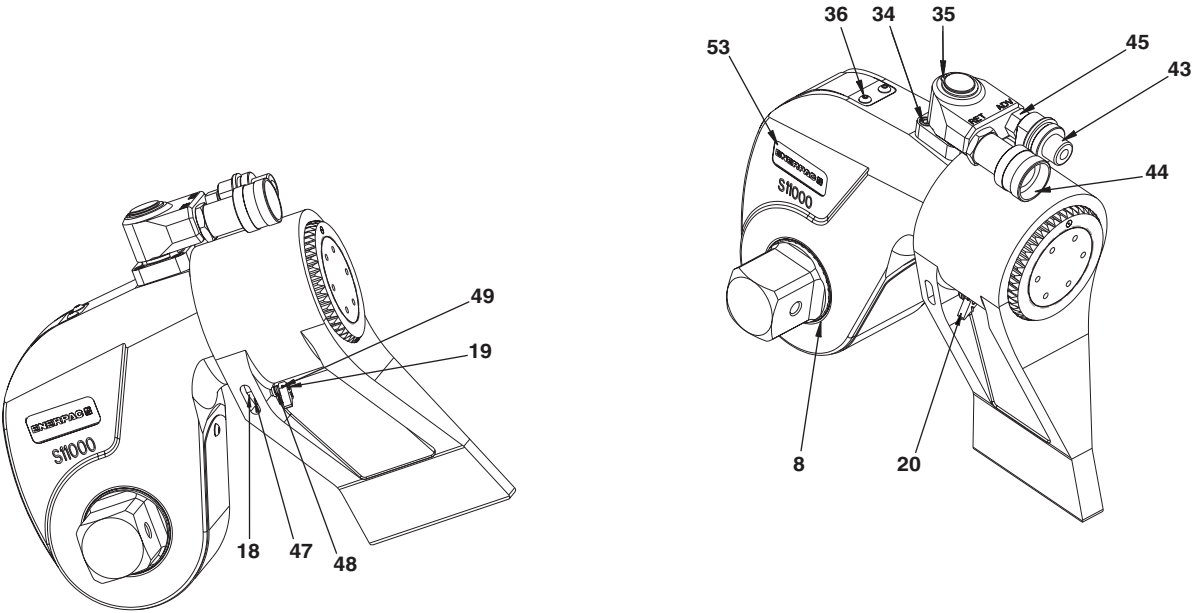
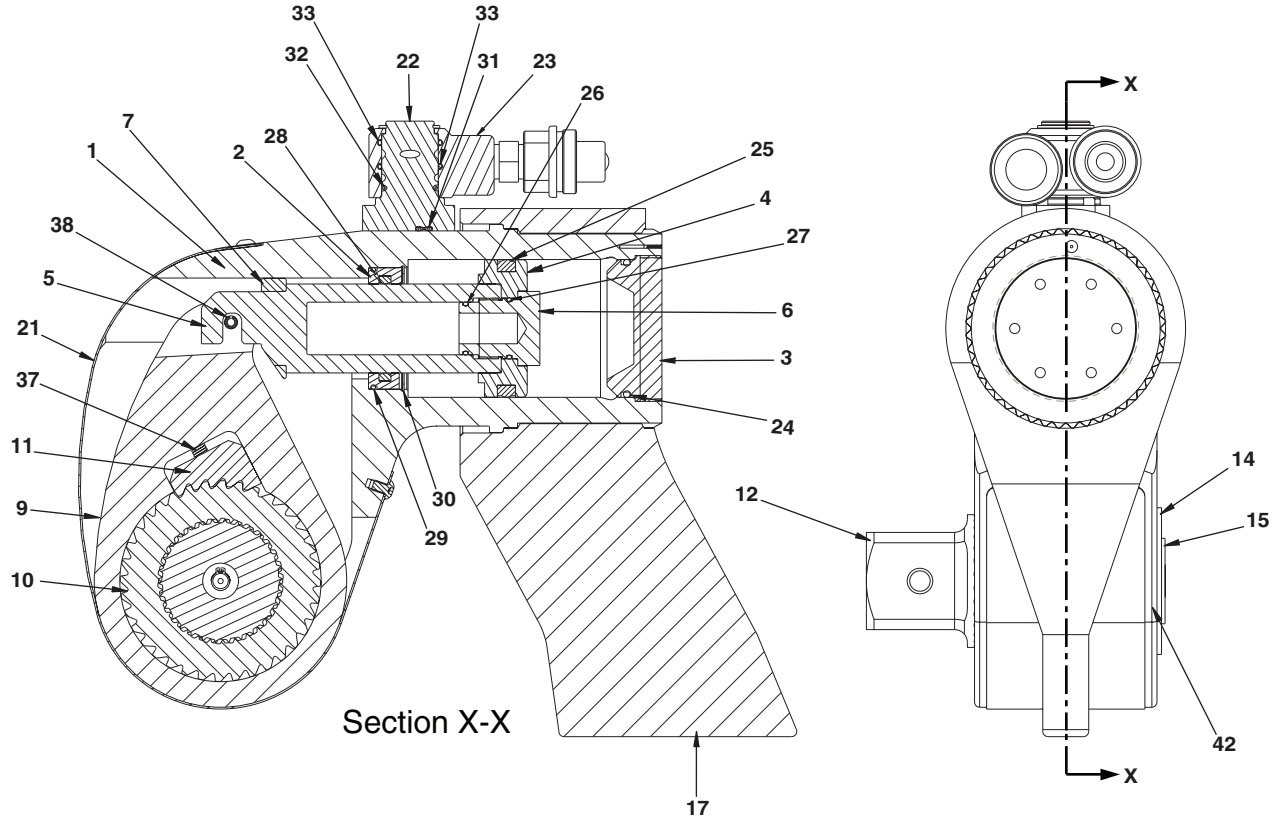


Figure 4, Model S11000

Repair Parts List for Model S25000 (Refer to Figure 5)

Item	Part Number	Qty.	Description	Item	Part Number	Qty.	Description
1	DC7341190SR	1	Body	25	E2-171 ★	1	Piston T-seal
2	25000S-102 ❖	1	Body Bushing	26	E2-363 ★	1	O-Ring
3	DC7343019SR	1	Drive Unit End Plug	27	E2-364 ★	1	O-Ring
4	25000S-104 ❖	1	Piston	28	E2-362 ★	1	Lip Seal
5	25000S-105 ❖	1	Piston Rod	29	E2-304 ★ † *	2	O-Ring
6	25000S-106 ❖	1	Piston Locknut	30	E2-239 ★ † *	1	O-Ring
7	25000S-107 ❖	1	Piston Rod Bushing	31	E2-241 ★ † *	2	O-Ring
8	25000S-108	2	Side Plate Bushing	32	E4-506 ★ † ○	4	Sw. Manifold Ret. Bolt
9	DC7338157SR	1	Ratchet Lever and Pin	33	E4-030 ★ † ○ *	1	Swivel Manifold Circlip
10	25000S-110 ■	1	Ratchet	34	E4-483 ◆ ○	3	Button Head Screw
11	DC7339809SR ■	1	Drive Shoe	35	E3-006 ■ ○	2	Spring
12	SD250-208	1	Square Drive	36	E4-689 ○ ❖ ■	1	Spiral Pin
14	25000S-114 ▲	1	Retaining Bushing	40	E4-690 ▲ ○	1	Retaining Ring
15	25000S-115A ▲	1	Sq. Dr. Retainer Assy	41	TH630 ○	1	Male Coupling
17	SRS250	1	Reaction Arm	42	TR630 ○	1	Female Coupling
18	DC7342160SR ●	1	Reaction Arm Retainer	43	FZ1608 ○	1	Male Adapter
19	25000S-118L/P ●	1	Reaction Arm Pivot Pin	44	E4-595 ○	1	Sel-Lok Pin
20	1500S-118	1	React. Arm Ret. Lever	45	E4-597 ● ○	1	Set Screw
21	25000S-120 ◆	1	Guard	46	E3-094 ● ○	1	Torsion Spring
22	DC7340840SR †	1	Swivel Manifold Post	47	E4-594 ● ○	1	1.5 x 8 Lg. Sel-Lok Pin
23	DC7329840SR †	1	Swivel Manifold Block	53	SL100143 ○	2	Label, Enerpac
24	E2-166 ★	1	O-Ring				

Notes:

- ★ Items included as part of Drive Unit Seal Kit S25000SK.
- † Items included as part of Swivel Manifold Kit S25000SMK.
- ❖ Items included as part of Drive Unit Rebuild Kit S25000DK.
- Items included as part of Ratchet Kit S25000RK.
- ◆ Items included as part of Guard Kit S25000GK.
- ▲ Items included as part of Square Drive Retainer Kit S25000SDRK.
- Items included as part of Reaction Arm Parts Kit S25000RAK.
- Items included as part of Spare Parts Kit S25000SPK.
- * Items included as part of Swivel Manifold Seal Kit W8000SMSK.

Items 10, 11, 22, 23, 41, 42 and 43 can be ordered individually or as part of a kit. All other kit items are available only in kits (not sold separately).

**Enerpac
recommends that
all kit
components be
installed to
assure optimum
performance of
the repaired
product.**

S25000

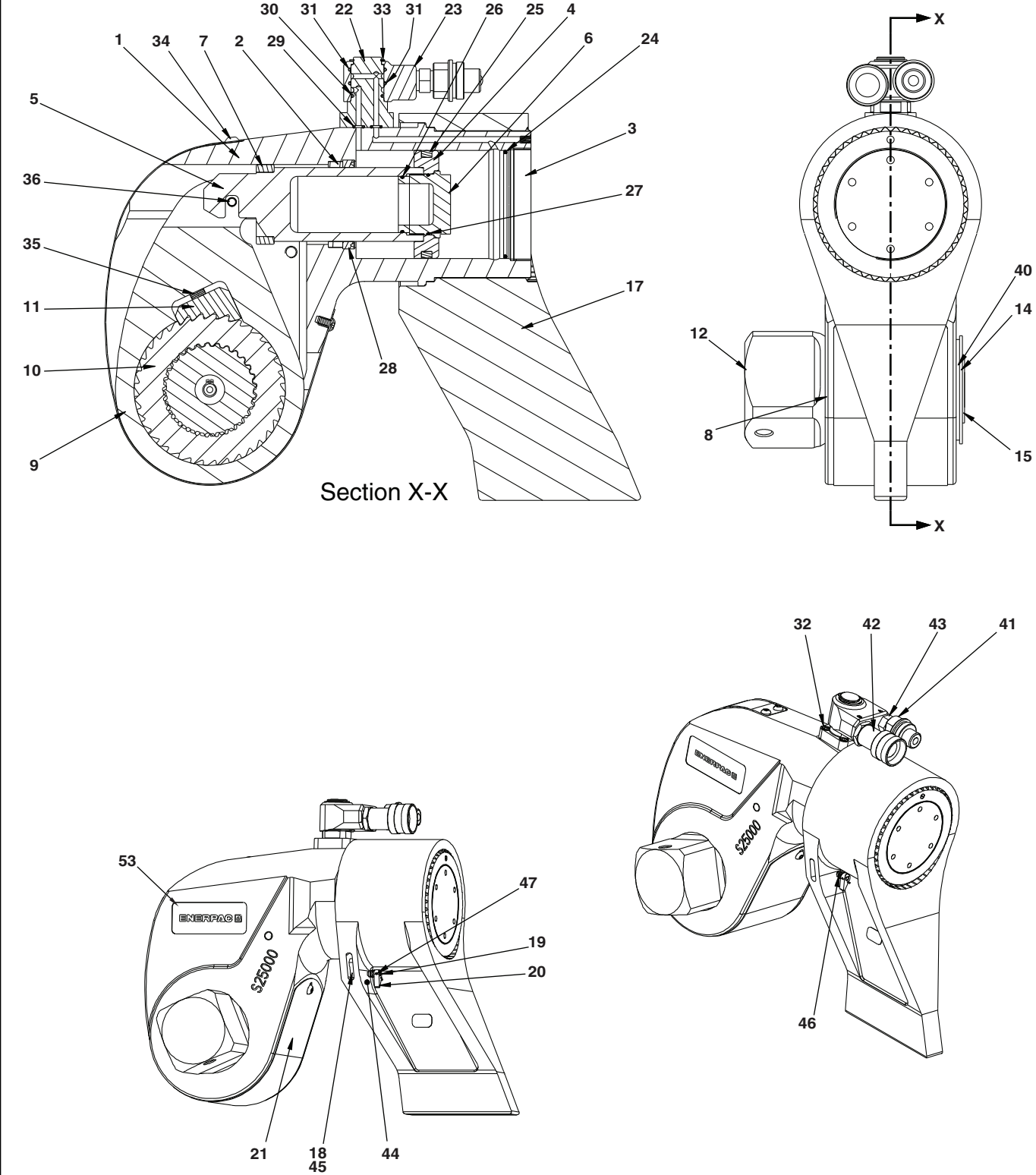


Figure 5, Model S25000

Enerpac Worldwide Locations

Africa

ENERPAC Middle East FZE
P.O. Box 18004
Jebel Ali, Dubai
United Arab Emirates
Tel: +971 (0)4 8872686
Fax: +971 (0)4 8872687

Australia

Actuant Australia Ltd.
Block V Unit 3
Regents Park Estate
391 Park Road
Regents Park NSW 2143
(P.O. Box 261) Australia
Tel: +61 297 438 988
Fax: +61 297 438 648

Brazil

Power Packer do Brasil Ltda.
Rua dos Inocentes, 587
04764-050 - Sao Paulo (SP)
Tel: +55 11 5687 2211
Fax: +55 11 5686 5583
Toll Free in Brazil:
Tel: 0800 891 5770
vendabrasil@enerpac.com

Canada

Actuant Canada Corporation
6615 Ordan Drive, Unit 14-15
Mississauga, Ontario L5T 1X2
Tel: +1 905 564 5749
Fax: +1 905 564 0305
Toll Free:
Tel: +1 800 268 4987
Fax: +1 800 461 2456
Technical Inquiries:
techservices@enerpac.com

China

Actuant China Ltd.
1F, 269 Fute N. Road
Waigaoqiao Free Trade Zone
Pudong New District
Shanghai, 200 131 China
Tel: +86 21 5866 9099
Fax: +86 21 5866 7156

✦ e-mail: info@enerpac.com

Actuant China Ltd. (Beijing)
709B Diyang Building
Xin No. 2
Dong San Huan North Rd.
Beijing City
100028 China
Tel: +86 10 845 36166
Fax: +86 10 845 36220

Central and Eastern Europe, Greece

ENERPAC B.V.
Galvanistraat 115
P.O. Box 8097
6710 AB Ede
The Netherlands
Tel: +31 318 535 936
Fax: +31 318 535 951

France, Switzerland francophone

ENERPAC
Une division de ACTUANT
France S.A.
B.P. 200, Parc d'Activités
du Moulin de Massy
F-91882 Massy CEDEX France
Tel: +33 1 60 13 68 68
Fax: +33 1 69 20 37 50

Germany, Austria, Greece and Switzerland

ENERPAC GmbH
P.O. Box 300113
D-40401 Düsseldorf
Germany
Tel: +49 211 471 490
Fax: +49 211 471 49 28

India

ENERPAC Hydraulics
(India) Pvt. Ltd.
Office No. 9,10 & 11,
Plot No. 56, Monarch Plaza,
Sector 11, C.B.D. Belapur
Navi Mumbai 400614, India
Tel: +91 22 2756 6090
Tel: +91 22 2756 6091
Fax: +91 22 2756 6095

Italy

ENERPAC S.p.A.
Via Canova 4
20094 Corsico (Milano)
Tel: +39 02 4861 111
Fax: +39 02 4860 1288

Japan

Applied Power Japan Ltd.
Besshochou 85-7
Saitama-shi, Kita-ku,
Saitama 331-0821
Japan
Tel: +81 48 662 4911
Fax: +81 48 662 4955

Middle East, Turkey and Caspian Sea

ENERPAC Middle East FZE
P.O. Box 18004
Jebel Ali, Dubai
United Arab Emirates
Tel: +971 (0)4 8872686
Fax: +971 (0)4 8872687

Russia and CIS

(excl. Caspian Sea Countries)

Actuant LLC
Admiral Makarov Street 8
125212 Moscow, Russia
Tel: +7-495-9809091
Fax: +7-495-9809092

Singapore

Actuant Asia Pte. Ltd.
25 Serangoon North Ave. 5
#03-01 Keppel Digihub
Singapore 554914
Thomson Road
P.O. Box 114
Singapore 915704
Tel: +65 64 84 5108
+65 64 84 3737
Fax: +65 64 84 5669
Toll Free: +1800 363 7722
Technical Inquiries:
techsupport@enerpac.com.sg

✦ internet: www.enerpac.com

South Korea

Actuant Korea Ltd.
3Ba 717,
Shihwa Industrial Complex
Jungwang-Dong, Shihung-Shi, Kyunggi-Do
Republic of Korea 429-450
Tel: +82 31 434 4506
Fax: +82 31 434 4507

Spain and Portugal

ENERPAC
C/San José Artesano 8
Pol. Ind.
28108 Alcobendas
(Madrid) Spain
Tel: +34 91 661 11 25
Fax: +34 91 661 47 89

The Netherlands, Belgium, Luxembourg, Sweden, Denmark, Norway, Finland and Baltic States

ENERPAC B.V.
Galvanistraat 115
P.O. Box 8097, 6710 AB Ede
The Netherlands
Tel: +31 318 535 911
Fax: +31 318 525 613
+31 318 535 848

Technical Inquiries Europe:
techsupport.europe@enerpac.com

United Kingdom, Ireland

ENERPAC Ltd.
Enerpac Ltd
Bentley Road South
Darlaston, West Midlands
WS10 8LQ, United Kingdom
Tel: +44 (0)121 50 50 787
Fax: +44 (0)121 50 50 799

USA, Latin America and Caribbean

ENERPAC
P.O. Box 3241
6100 N. Baker Road
Milwaukee, WI 53209 USA
Tel: +1 262 781 6600
Fax: +1 262 783 9562

Inquiries/orders:
+1 800 558 0530
Technical Inquiries:
techservices@enerpac.com

All Enerpac products are guaranteed against defects in workmanship and materials for as long as you own them.
For your nearest authorized Enerpac Service Center, visit us at www.enerpac.com